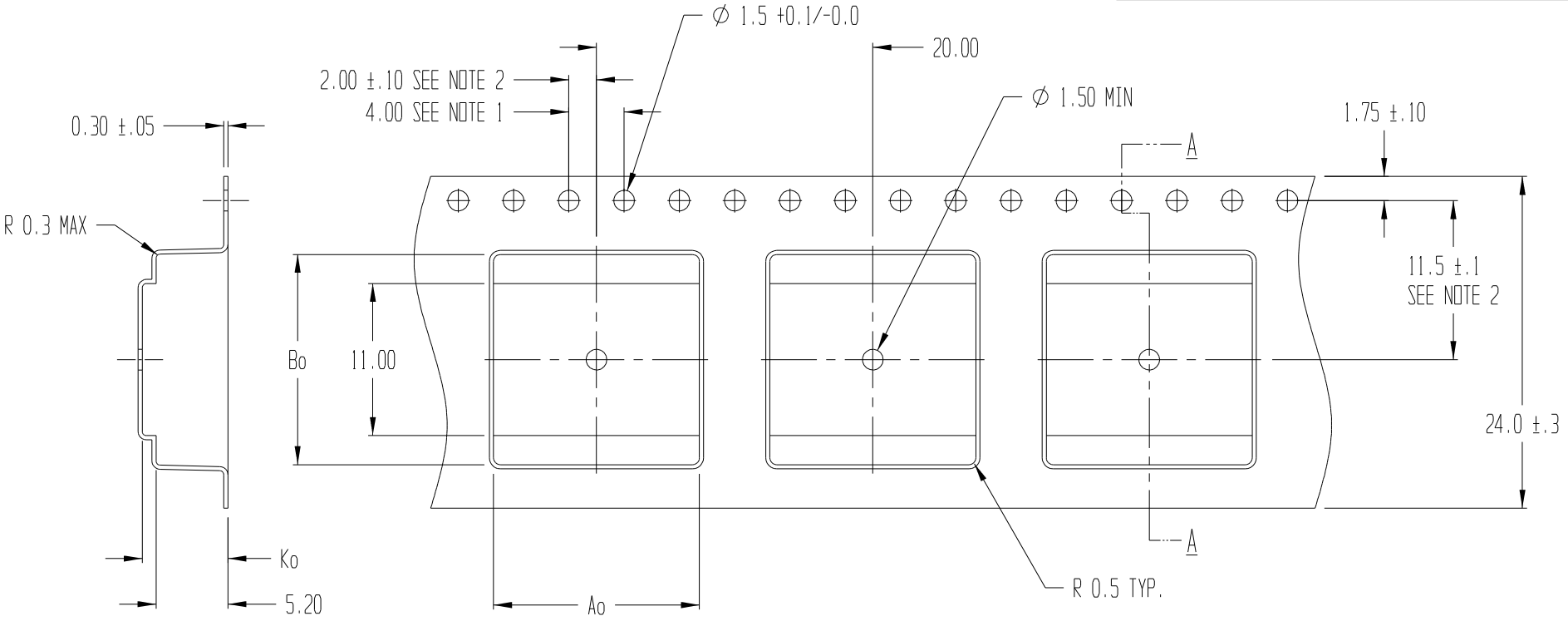



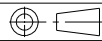
REVISIONS			
REV	DESCRIPTION	DATE	APPROVED
1	WAS CUSTOM TOOL	1/28/2011	XHL



SECTION A - A

$Ao = 14.90$   
 $Bo = 15.20$   
 $Ko = 6.20$

- NOTES:
1. 10 SPROCKET HOLE PITCH CUMULATIVE TOLERANCE  $\pm 0.2$
  2. POCKET POSITION RELATIVE TO SPROCKET HOLE MEASURED AS TRUE POSITION OF POCKET, NOT POCKET HOLE
  3.  $Ao$  AND  $Bo$  ARE CALCULATED ON A PLANE AT A DISTANCE "R" ABOVE THE BOTTOM OF THE POCKET.

 <b>ADVANTEK</b> <sup>®</sup> engineered confidence™			
TITLE ADVANTEK PART DRAWING NUMBER 9402BL-B CARRIER TAPE			
TOLERANCES - UNLESS NOTED 1PL $\pm 0.2$ 2PL $\pm 0.10$	MATERIAL PS+C	DWG SIZE B	
ALL DIMS IN MILLIMETERS PER ASME Y14.5M 			
DRAWN BY BTH	DATE 09/13/2000	SCALE 3:1	SHEET 1 OF 1
CK'D BY	PROJECT NO. T-9056-D/7667.00	DWG NO. T103055BT	REV 1