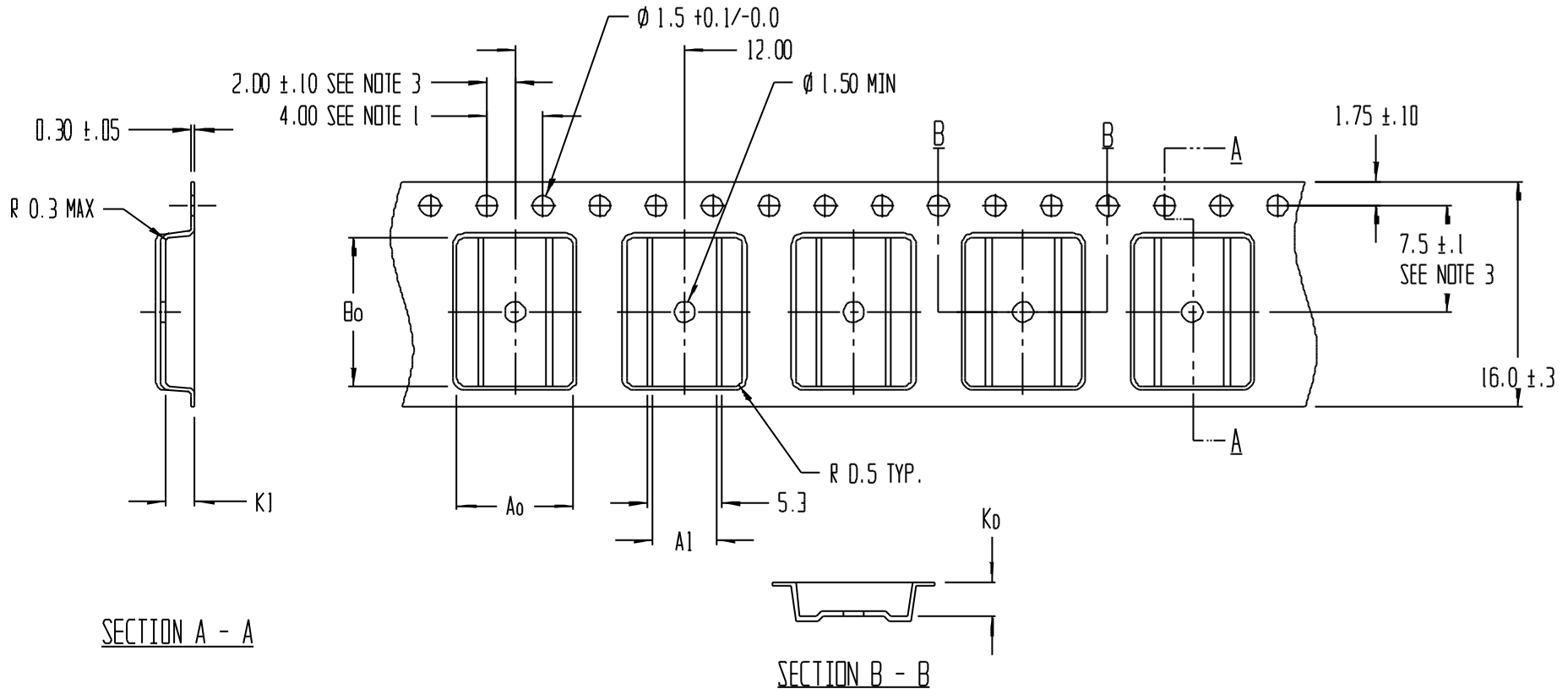


REVISIONS			
REV	DESCRIPTION	DATE	APPROVED
1	Drawing format change	6/17/03	BVB



SECTION A - A

SECTION B - B

$Ao = 8.20$   
 $A1 = 4.50$   
 $Bo = 10.50$   
 $Ko = 2.50$   
 $K1 = 2.10$

NOTES:

1. 10 SPROCKET HOLE PITCH CUMULATIVE TOLERANCE  $\pm 0.2$
2. CAMBER IN COMPLIANCE WITH EIA 481
3. POCKET POSITION RELATIVE TO SPROCKET HOLE MEASURED AS TRUE POSITION OF POCKET, NOT POCKET HOLE



ADVANTEK			
TITLE ADVANTEK PART DRAWING NUMBER SOP-16-A CARRIER TAPE			
TOLERANCES - UNLESS NOTED IPL $\pm 0.2$ 2PL $\pm 0.10$		MATERIAL PS+FC ALL DIMENSIONS IN MILLIMETERS DWG SIZE B	
DRAWN BY T.S./BVB	DATE 9/8/93	SCALE 3:1	SHEET 1 OF 1
REFERENCE NO. T-3546-A		DWG NO. A1003-95-2	REV 1