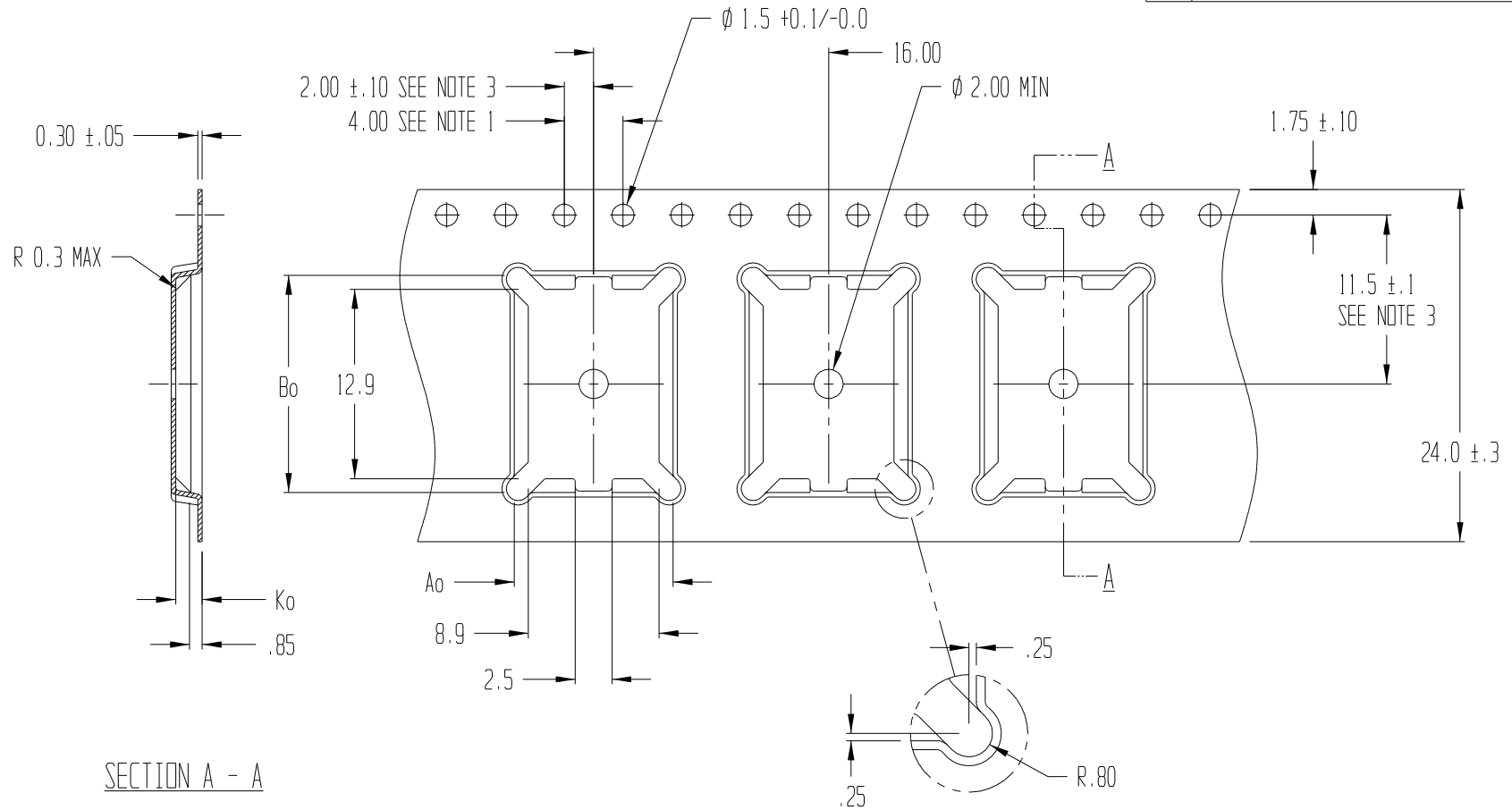


REVISIONS			
REV	DESCRIPTION	DATE	APPROVED
1	WAS CUSTOM TOOL	02/01/2011	VAW



SECTION A - A

Ao = 10.8  
Bo = 14.8  
Ko = 1.8

NOTES:

1. 10 SPROCKET HOLE PITCH CUMULATIVE TOLERANCE  $\pm 0.2$
2. POCKET POSITION RELATIVE TO SPROCKET HOLE MEASURED AS TRUE POSITION OF POCKET, NOT POCKET HOLE
3. Ao AND Bo ARE CALCULATED ON A PLANE AT A DISTANCE "R" ABOVE THE BOTTOM OF THE POCKET.



TITLE ADVANTEK PART DRAWING NUMBER BG1014-A CARRIER TAPE			
TOLERANCES - UNLESS NOTED 1PL $\pm 2$ 2PL $\pm 10$		MATERIAL PS+C	
DRAWN BY JBH		DATE 03/08/2004	SCALE 3:1
REFERENCE NO. T-12784 / 7471.00		DWG NO. T104630BT	SHEET 1 OF 1
			REV 1