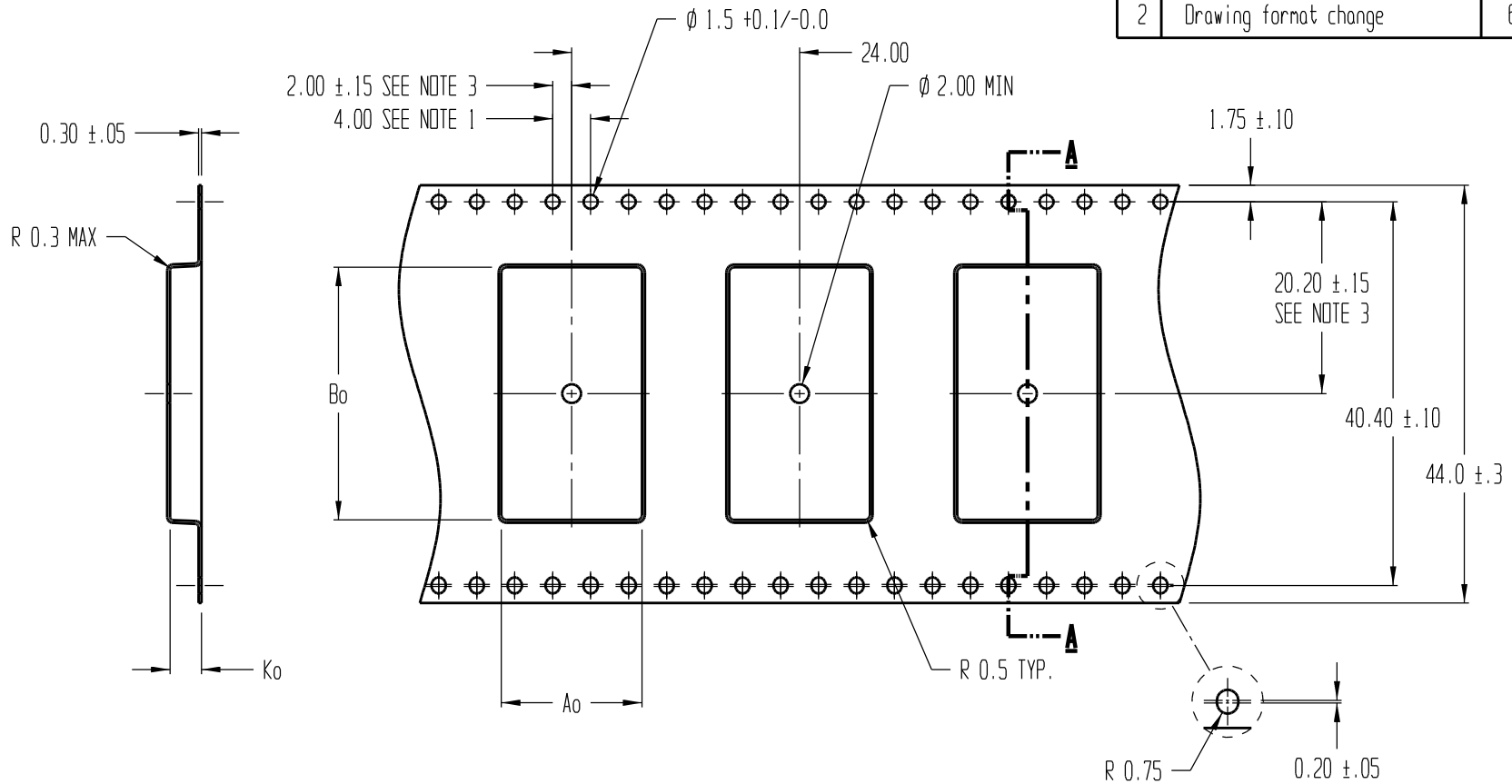


REVISIONS			
REV	DESCRIPTION	DATE	APPROVED
1	Was closed tool	1/16/95	SC
2	Drawing format change	6/7/03	BVB



SECTION A - A

Ao = 14.80
Bo = 26.60
Ko = 3.30

- NOTES:
1. 10 SPROCKET HOLE PITCH CUMULATIVE TOLERANCE ± 0.2
 2. CAMBER IN COMPLIANCE WITH EIA 481
 3. POCKET POSITION RELATIVE TO SPROCKET HOLE MEASURED AS TRUE POSITION OF POCKET, NOT POCKET HOLE



TITLE ADVANTEK PART DRAWING NUMBER SOIC40-A CARRIER TAPE			
TOLERANCES - UNLESS NOTED 1PL ± 0.2 2PL ± 0.10		MATERIAL PS+C	
		ALL DIMENSIONS IN MILLIMETERS	DWG SIZE B
DRAWN BY CKS/BVB	DATE 6/23/92	SCALE 2:1	SHEET 1 OF 1
REFERENCE NO.	DWG NO. A0623-92-6	REV 2	