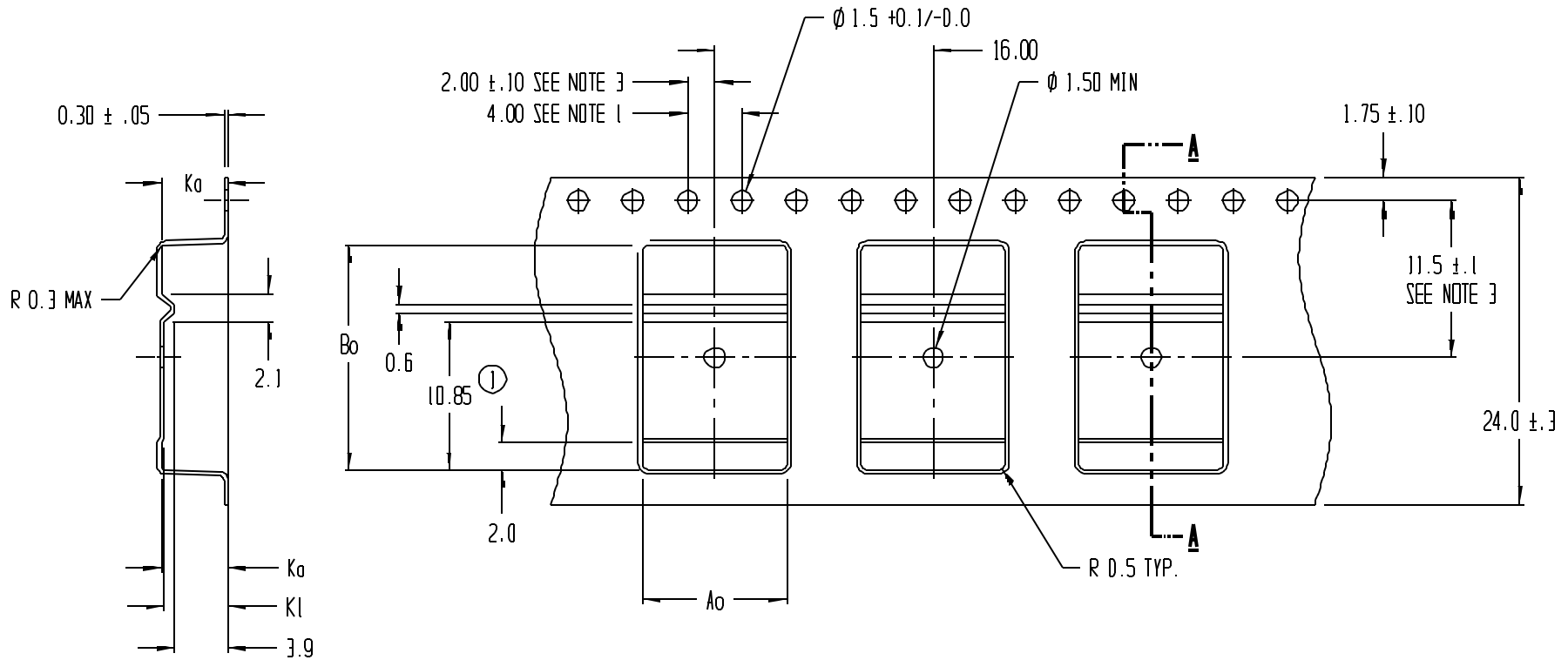


REVISIONS			
REV	DESCRIPTION	DATE	APPROVED
1	Re-dimension	7/8/99	RJB
2	Drawing format change	1/5/03	BVB



SECTION A - A

Ao = 10.60
Bo = 16.50
Ko = 4.90
Kl = 4.70

NOTES:

1. 10 SPROCKET HOLE PITCH CUMULATIVE TOLERANCE ±0.2
2. CAMBER IN COMPLIANCE WITH EIA 481
3. POCKET POSITION RELATIVE TO SPROCKET HOLE MEASURED AS TRUE POSITION OF POCKET, NOT POCKET HOLE



TITLE ADVANTEK PART DRAWING NUMBER DSGPAK-M CARRIER TAPE			
TOLERANCES - UNLESS NOTED 1PL ±.2 2PL ±.10		MATERIAL PS+C	
		ALL DIMENSIONS IN MILLIMETERS	DWG SIZE B
DRAWN BY RJB/BVB	DATE 6/1/99	SCALE 3:1	SHEET 1 OF 1
REFERENCE NO. T-8783-A		DWG NO. T102289AT	REV 2