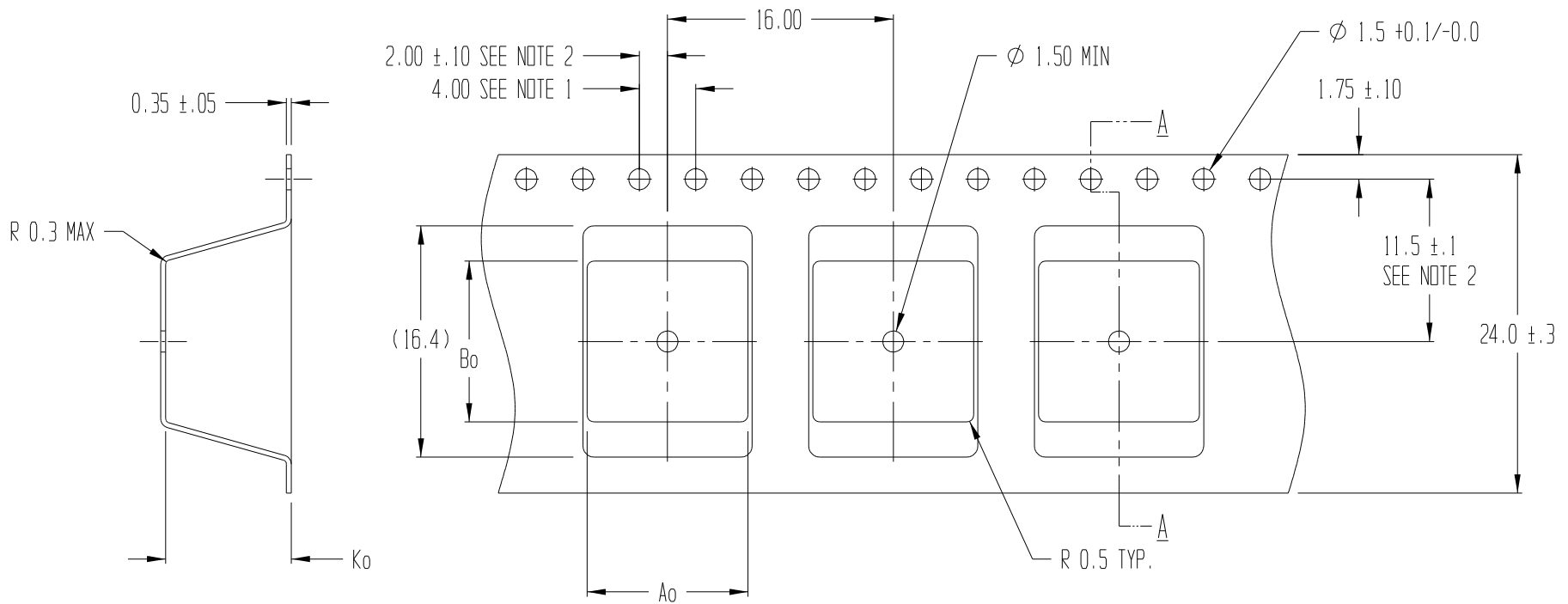


REVISIONS			
REV	DESCRIPTION	DATE	APPROVED
2	WAS CLOSED TOOL	5/3/11	TMO



SECTION A - A

Ao = 11.40  
Bo = 11.40  
Ko = 8.90

- NOTES:
1. 10 SPROCKET HOLE PITCH CUMULATIVE TOLERANCE ±0.2
  2. POCKET POSITION RELATIVE TO SPROCKET HOLE MEASURED AS TRUE POSITION OF POCKET, NOT POCKET HOLE
  3. Ao AND Bo ARE CALCULATED ON A PLANE AT A DISTANCE "R" ABOVE THE BOTTOM OF THE POCKET.



TITLE ADVANTEK PART DRAWING NUMBER S36424-A CARRIER TAPE			
TOLERANCES - UNLESS NOTED 1PL ±.2 2PL ±.10	MATERIAL PS+C	DWG SIZE B	
ALL DIMS IN MILLIMETERS PER ASME Y14.5M			
DRAWN BY RJB	DATE 2/22/00	SCALE 3:1	SHEET 1 OF 1
CK'D BY	PROJECT NO. T-9699 / 7666.00	DWG NO. T102796BT	REV 2