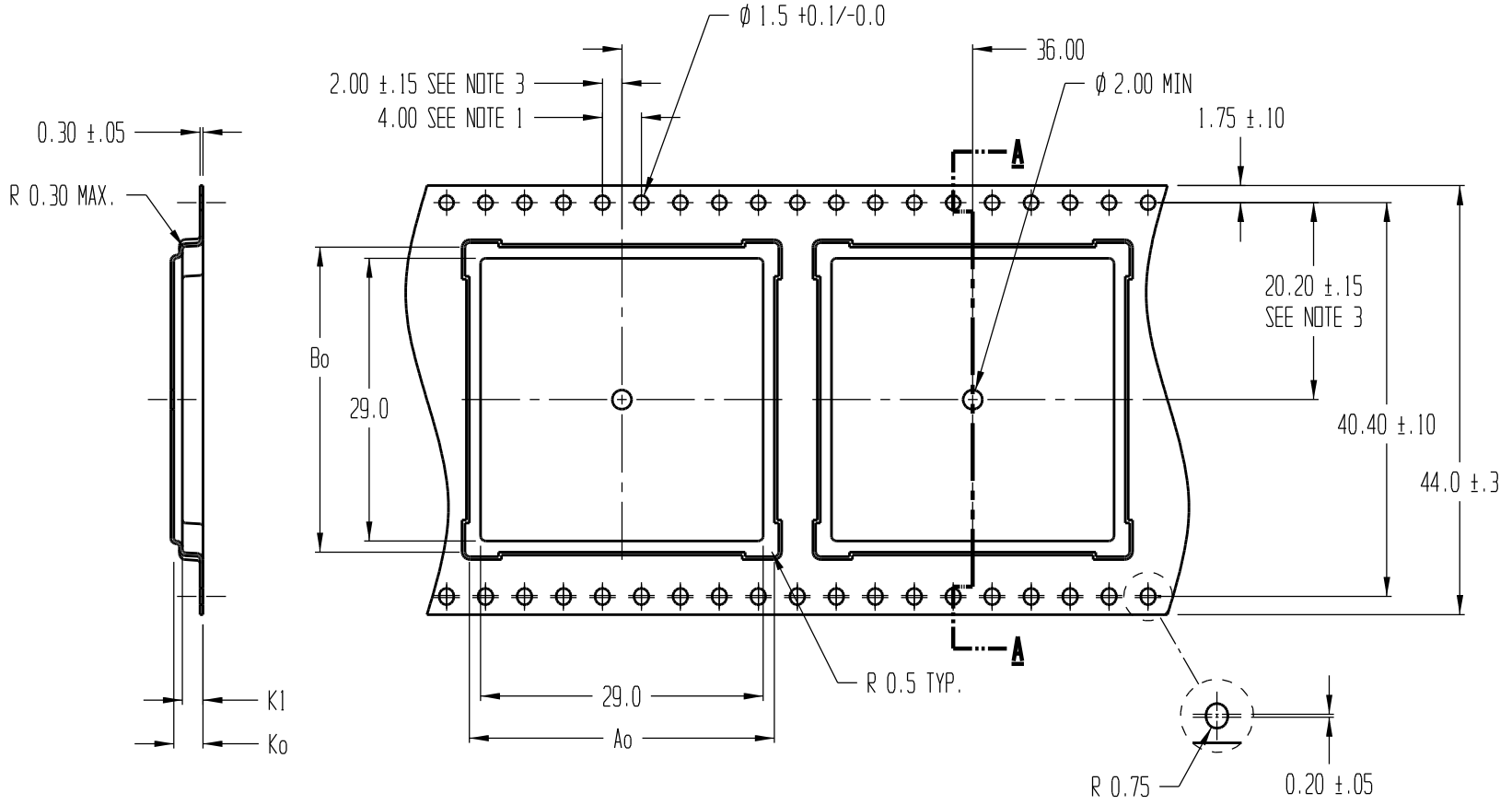


REVISIONS			
REV	DESCRIPTION	DATE	APPROVED



SECTION A - A

Ao = 31.3
 Bo = 31.3
 Ko = 3.00
 K1 = 2.10

- NOTES:
1. 10 SPROCKET HOLE PITCH CUMULATIVE TOLERANCE ±0.2
 2. CAMBER IN COMPLIANCE WITH EIA 481
 3. POCKET POSITION RELATIVE TO SPROCKET HOLE MEASURED AS TRUE POSITION OF POCKET, NOT POCKET HOLE



TITLE ADVANTEK PART DRAWING NUMBER FJA003-A CARRIER TAPE			
TOLERANCES - UNLESS NOTED 1PL ±.2 2PL ±.10	MATERIAL PS+ε	ALL DIMENSIONS IN MILLIMETERS	DWG SIZE B
DRAWN BY NCE	DATE 03/17/2006	SCALE 2:1	SHEET 1 OF 1
REFERENCE NO. 1269.00	DWG NO. T105501BT	REV	