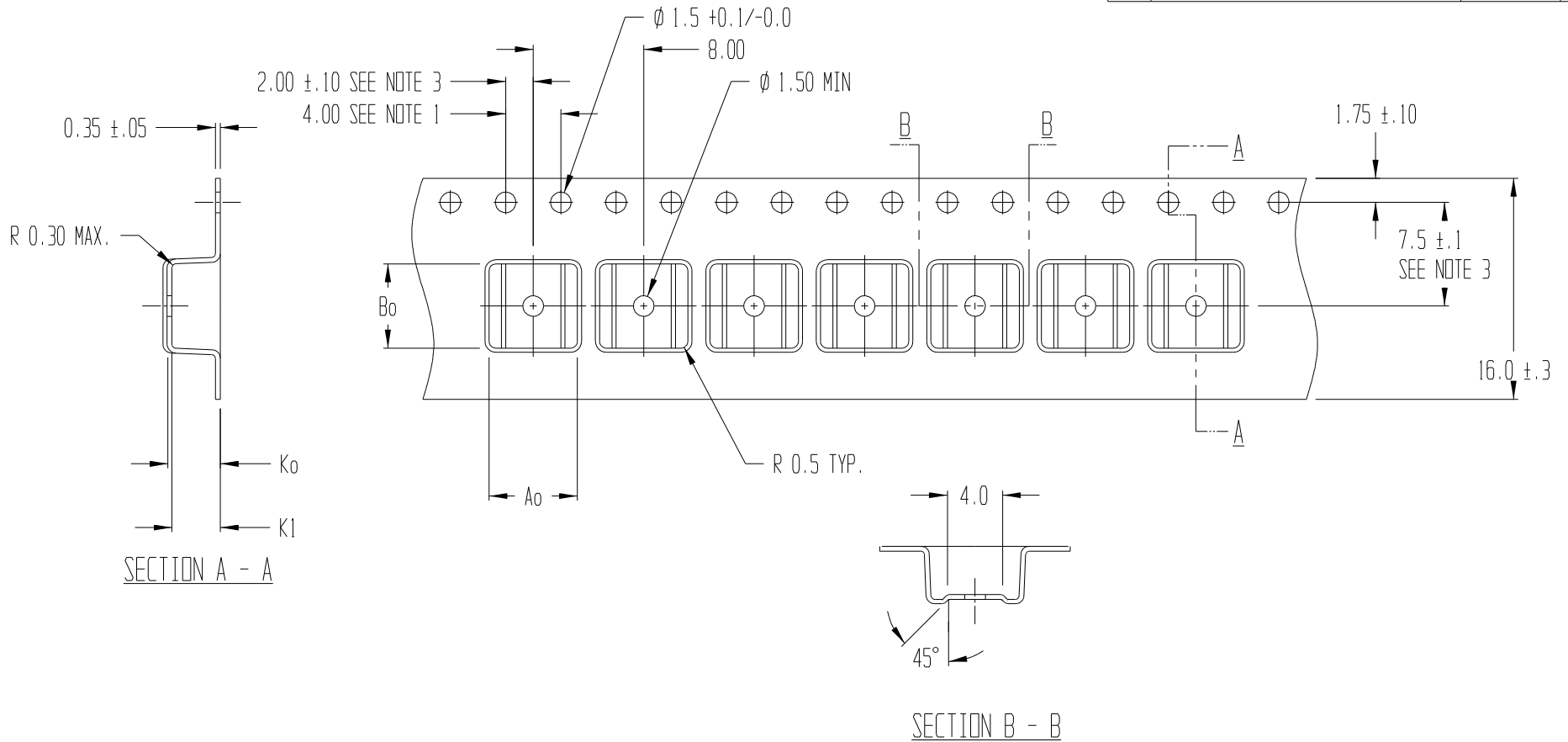


| REVISIONS | | | |
|-----------|-----------------|----------|----------|
| REV | DESCRIPTION | DATE | APPROVED |
| 4 | WAS CLOSED TOOL | 03/23/11 | VAW |



$A_o = 6.40$
 $B_o = 6.10$
 $K_o = 3.80$
 $K_1 = 3.10$

- NOTES:
- 10 SPROCKET HOLE PITCH CUMULATIVE TOLERANCE ± 0.2
 - POCKET POSITION RELATIVE TO SPROCKET HOLE MEASURED AS TRUE POSITION OF POCKET, NOT POCKET HOLE
 - A_o AND B_o ARE CALCULATED ON A PLANE AT A DISTANCE "R" ABOVE THE BOTTOM OF THE POCKET.



| | | | |
|---|--|--------------------|-----------------------|
| TITLE ADVANTEK PART DRAWING NUMBER DSD-08-A CARRIER TAPE | | | |
| TOLERANCES - UNLESS NOTED 1PL ± 0.2 2PL ± 0.10 | | MATERIAL PS+C | |
| DRAWN BY SDC | | DATE 4/26/95 | SCALE 3:1 |
| REFERENCE NO. T-4808 / 7666.00 | | DWG NO. A0720-95-1 | SHEET 1 OF 1 REV 4 |