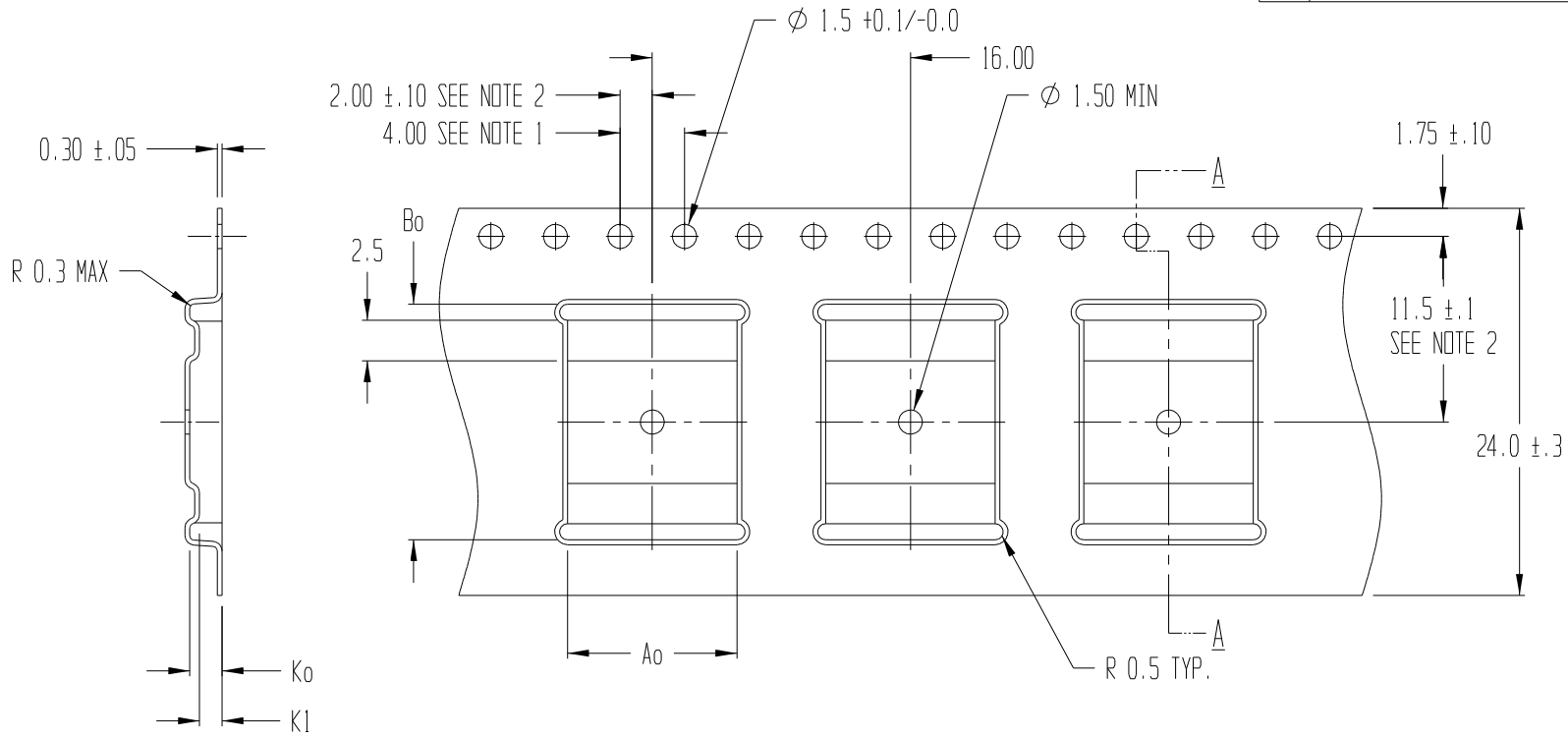


REVISIONS			
REV	DESCRIPTION	DATE	APPROVED
1	WAS A CUSTOM TOOL	8/10/11	TMD



SECTION A - A

Ao = 10.5  
Bo = 14.6  
Ko = 2.0  
K1 = 1.4

- NOTES:
1. 10 SPROCKET HOLE PITCH CUMULATIVE TOLERANCE  $\pm 0.2$
  2. POCKET POSITION RELATIVE TO SPROCKET HOLE MEASURED AS TRUE POSITION OF POCKET, NOT POCKET HOLE
  3. Ao AND Bo ARE CALCULATED ON A PLANE AT A DISTANCE "R" ABOVE THE BOTTOM OF THE POCKET.



TITLE ADVANTEK PART DRAWING NUMBER TSOP40-F CARRIER TAPE			
TOLERANCES - UNLESS NOTED 1PL $\pm 0.2$ 2PL $\pm 0.10$	MATERIAL PS+C	DWG SIZE B	
ALL DIMS IN MILLIMETERS PER ASME Y14.5M			
DRAWN BY BTH	DATE 10/12/2001	SCALE 3:1	SHEET 1 OF 1
CK'D BY	PROJECT NO. T-11368 / 7667.00	DWG NO. T103440BT	REV 1