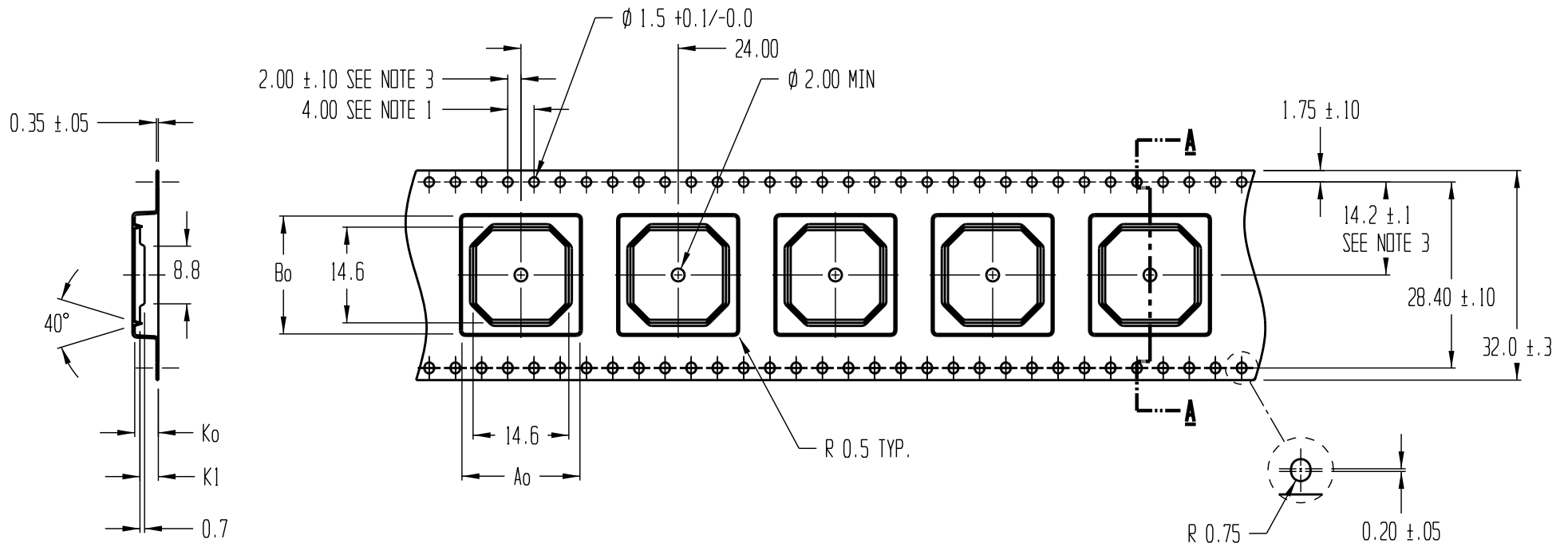


REVISIONS			
REV	DESCRIPTION	DATE	APPROVED
1	Drawing format change	3/21/03	BVB



SECTION A - A

Ao = 18.00
Bo = 18.00
Ko = 3.60
K1 = 2.80

NOTES:

1. 10 SPROCKET HOLE PITCH CUMULATIVE TOLERANCE ± 0.2
2. CAMBER IN COMPLIANCE WITH EIA 481
3. POCKET POSITION RELATIVE TO SPROCKET HOLE MEASURED AS TRUE POSITION OF POCKET, NOT POCKET HOLE

US PATENT 5152393



TITLE ADVANTEK PART DRAWING NUMBER Q14X14-F CARRIER TAPE			
TOLERANCES - UNLESS NOTED 1PL $\pm .2$ 2PL $\pm .10$	MATERIAL PS+C	ALL DIMENSIONS IN MILLIMETERS DWG SIZE B	
DRAWN BY T.S./BVB	DATE 11/17/93	SCALE 3:2	SHEET 1 OF 1
REFERENCE NO.	DWG NO. A0204-94-3	REV 1	