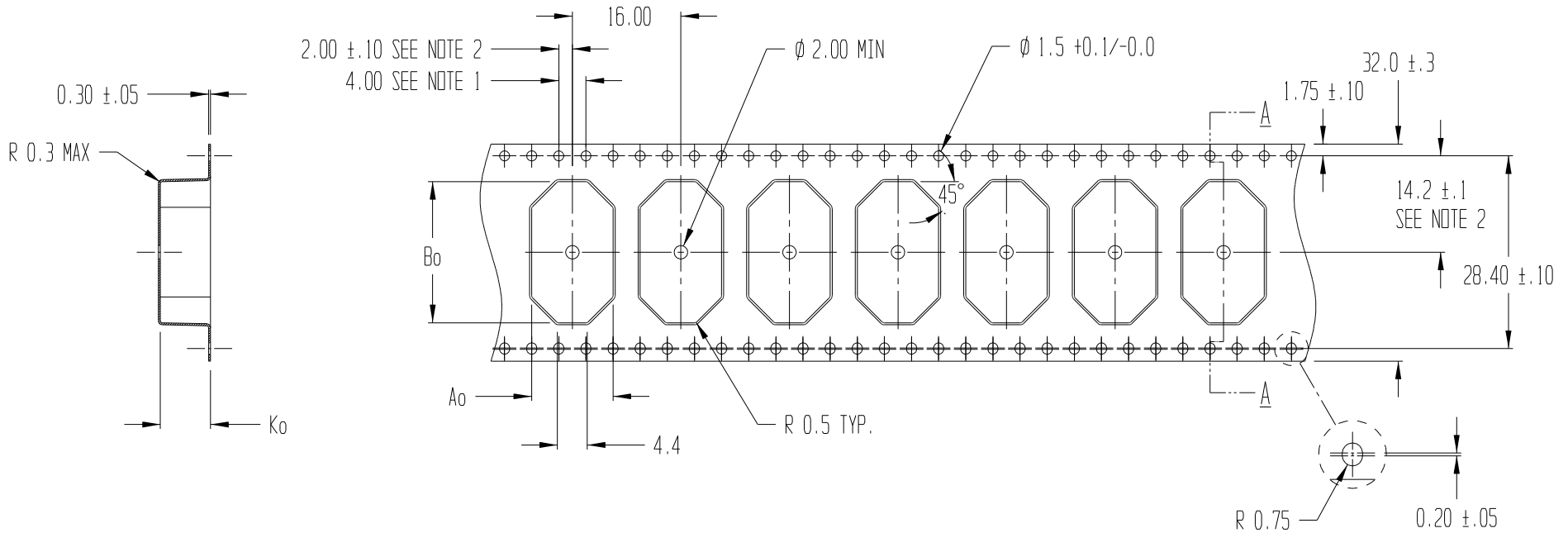


REVISIONS			
REV	DESCRIPTION	DATE	APPROVED
1	WAS CLOSED TOOL	5/12/11	TMD



SECTION A - A

Ao = 12.0
Bo = 20.8
Ko = 7.4

NOTES:

- 10 SPROCKET HOLE PITCH CUMULATIVE TOLERANCE ± 0.2
- POCKET POSITION RELATIVE TO SPROCKET HOLE MEASURED AS TRUE POSITION OF POCKET, NOT POCKET HOLE
- Ao AND Bo ARE CALCULATED ON A PLANE AT A DISTANCE "R" ABOVE THE BOTTOM OF THE POCKET.



ADVANTEK[®]
engineered confidence™

TITLE ADVANTEK PART DRAWING NUMBER SYNRM7-A CARRIER TAPE			
TOLERANCES - UNLESS NOTED 1PL ± 0.2 2PL ± 0.10	MATERIAL PS+C	DWG SIZE B	
ALL DIMS IN MILLIMETERS PER ASME Y14.5M			
DRAWN BY TMD	DATE 08/12/2003	SCALE 3:2	SHEET 1 OF 1
CK'D BY	PROJECT NO. T-12479-A / 7666.00	DWG NO. T104314BT	REV 1