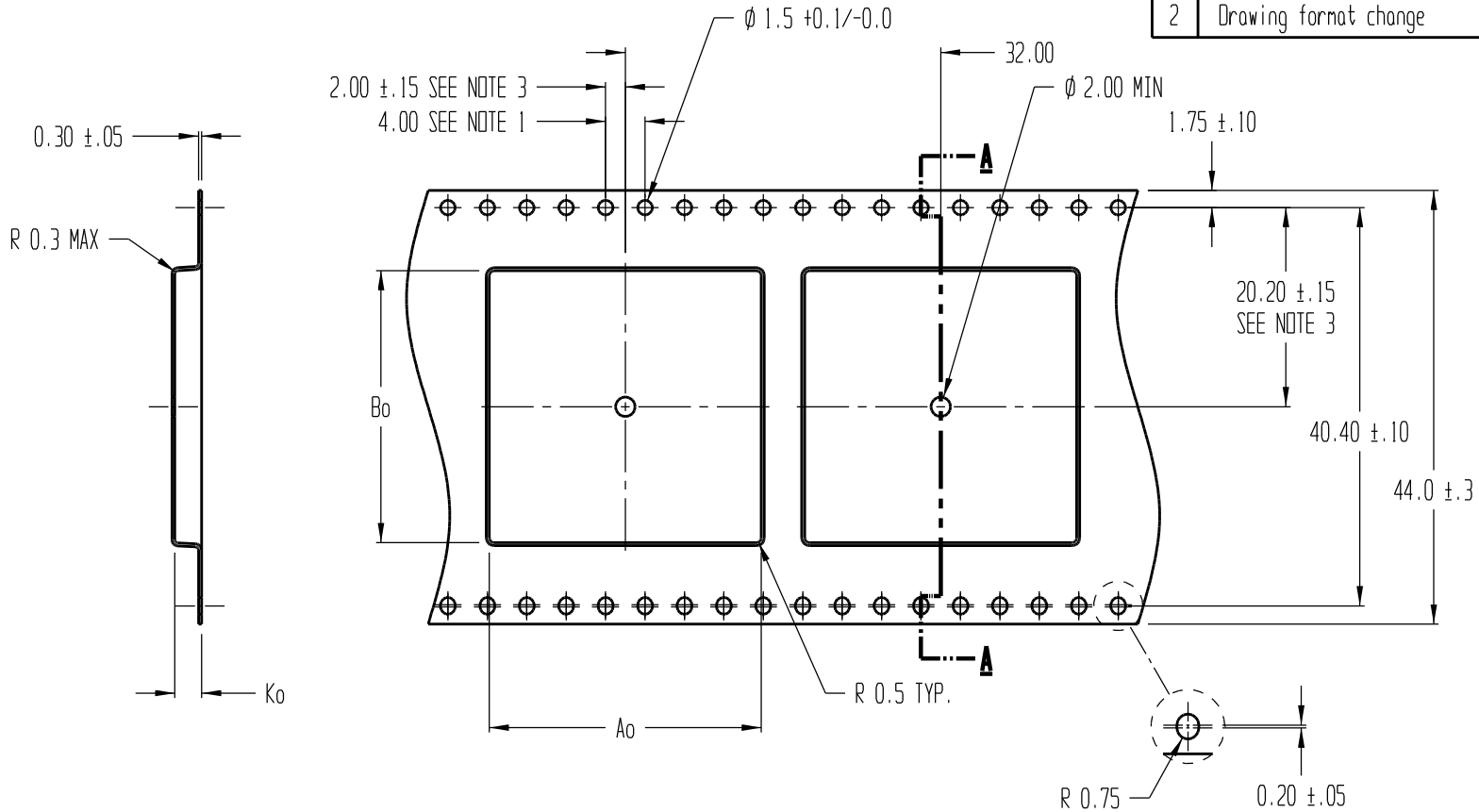


REVISIONS			
REV	DESCRIPTION	DATE	APPROVED
1	Part No. was MOT225-A	10/24/94	S.C.
2	Drawing format change	9/11/02	BTH



SECTION A - A

Ao = 27.60
Bo = 27.60
Ko = 2.70

NOTES:

1. 10 SPROCKET HOLE PITCH CUMULATIVE TOLERANCE ± 0.2
2. CAMBER IN COMPLIANCE WITH EIA 481
3. POCKET POSITION RELATIVE TO SPROCKET HOLE MEASURED AS TRUE POSITION OF POCKET, NOT POCKET HOLE



TITLE ADVANTEK PART DRAWING NUMBER BGA256-A ① BGA225/256 CARRIER TAPE			
TOLERANCES - UNLESS NOTED 1PL ± 0.2 2PL ± 0.10		MATERIAL PS+C	
ALL DIMENSIONS IN MILLIMETERS		DWG SIZE B	
DRAWN BY CKS/BTH	DATE 3/27/92	SCALE 2:1	SHEET 1 OF 1
REFERENCE NO.	DWG NO. A0327-92-2	REV 2	