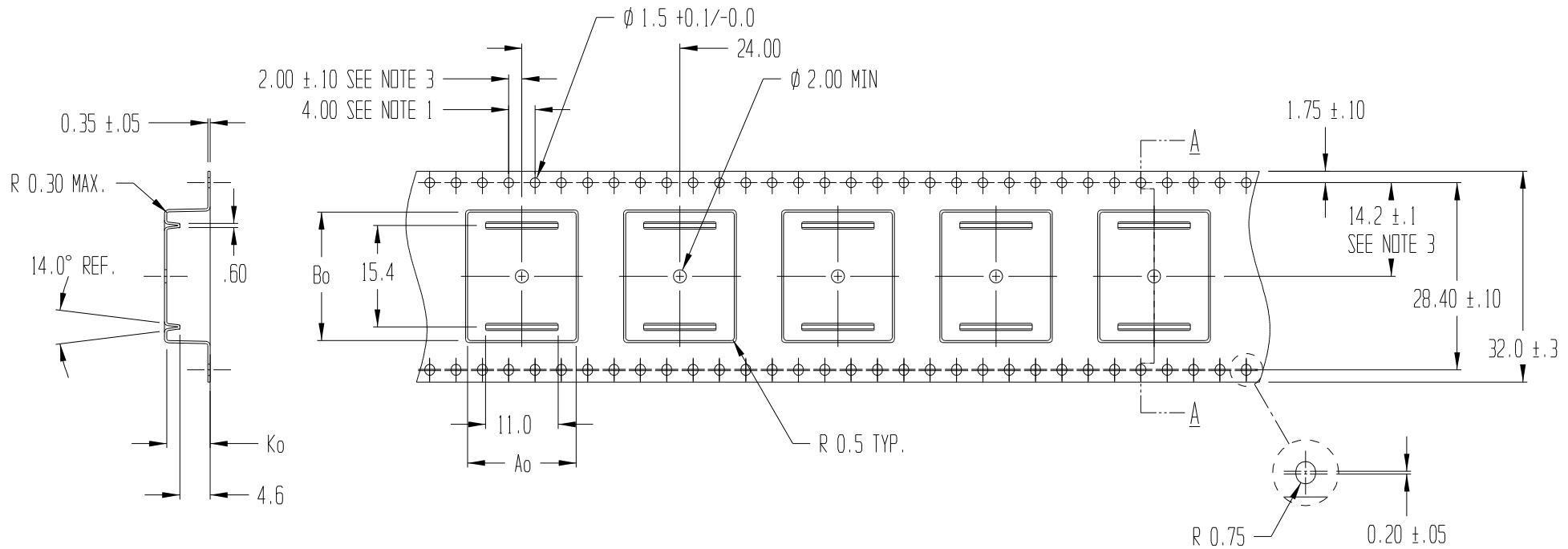


REVISIONS			
REV	DESCRIPTION	DATE	APPROVED
1	WAS CLOSED TOOL	04/12/11	VAW



SECTION A - A

Ao = 16.5
Bo = 19.5
Ko = 6.6

NOTES:

- 10 SPROCKET HOLE PITCH CUMULATIVE TOLERANCE ± 0.2
- POCKET POSITION RELATIVE TO SPROCKET HOLE MEASURED AS TRUE POSITION OF POCKET, NOT POCKET HOLE
- Ao AND Bo ARE CALCULATED ON A PLANE AT A DISTANCE "R" ABOVE THE BOTTOM OF THE POCKET.



ADVANTEK[®]
engineered confidence™

TITLE ADVANTEK PART DRAWING NUMBER EGA001-A CARRIER TAPE			
TOLERANCES - UNLESS NOTED 1PL ± 0.2 2PL ± 0.10		MATERIAL PS+C ALL DIMENSIONS IN MILLIMETERS DWG SIZE B	
DRAWN BY NCE	DATE 04/26/2005	SCALE 3:2	SHEET 1 OF 1
REFERENCE NO. 144 / 7666.00		DWG NO. T105121BT	REV 1