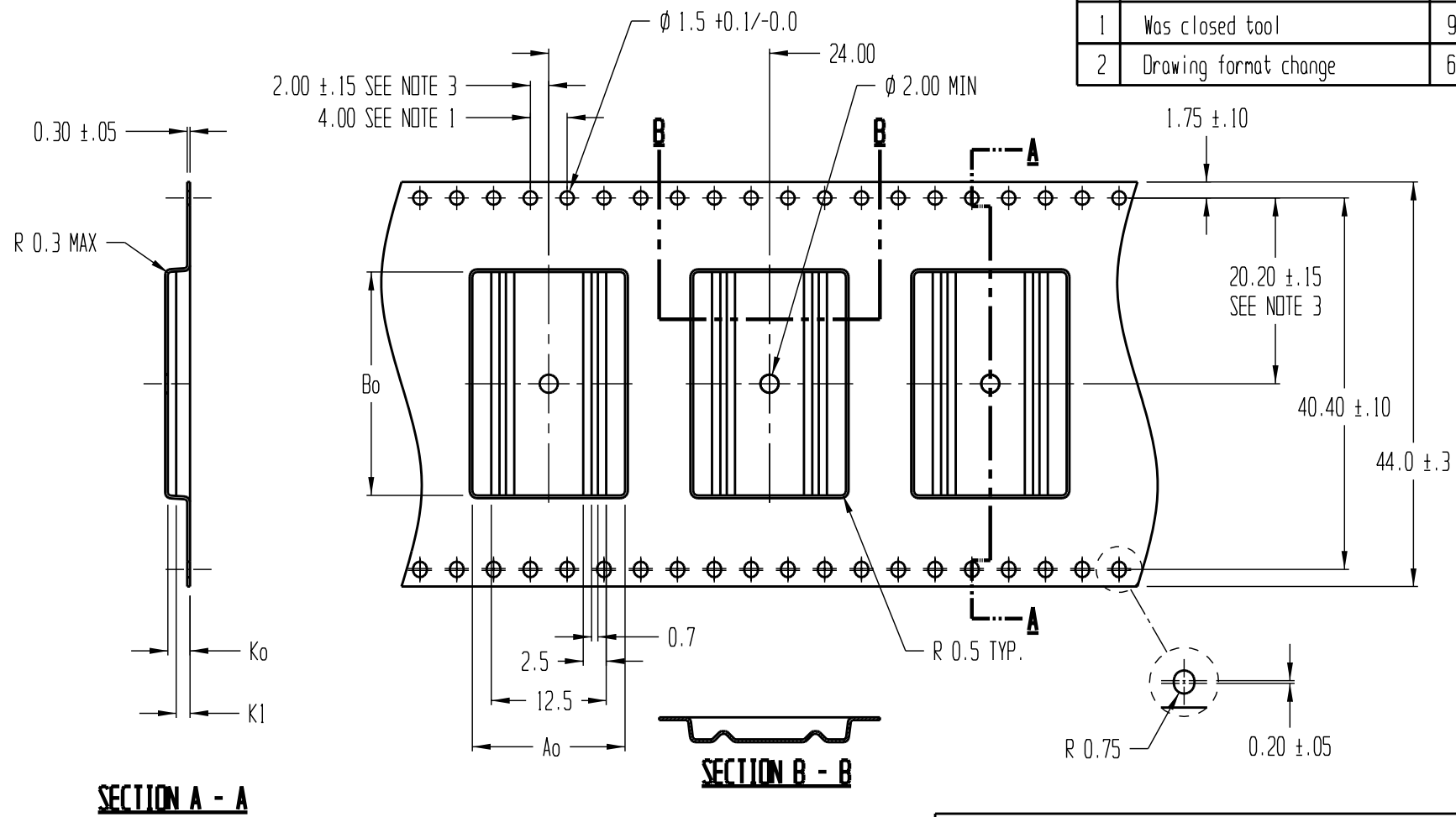


REVISIONS			
REV	DESCRIPTION	DATE	APPROVED
1	Was closed tool	9/24/96	RJB
2	Drawing format change	6/24/03	BVB



$Ao = 16.60$
 $Bo = 24.30$
 $Ko = 2.40$
 $K1 = 1.50$

- NOTES:
1. 10 SPROCKET HOLE PITCH CUMULATIVE TOLERANCE ± 0.2
 2. CAMBER IN COMPLIANCE WITH EIA 481
 3. POCKET POSITION RELATIVE TO SPROCKET HOLE MEASURED AS TRUE POSITION OF POCKET, NOT POCKET HOLE



TITLE ADVANTEK PART DRAWING NUMBER SSOP56-D CARRIER TAPE			
TOLERANCES - UNLESS NOTED IPL ± 0.2 2PL ± 0.10	MATERIAL PS+C ALL DIMENSIONS IN MILLIMETERS	DWG SIZE B	
DRAWN BY SDC/BVB	DATE 6/1/95	SCALE 2:1	SHEET 1 OF 1
REFERENCE NO.	DWG NO. A0601-95-1	REV 2	