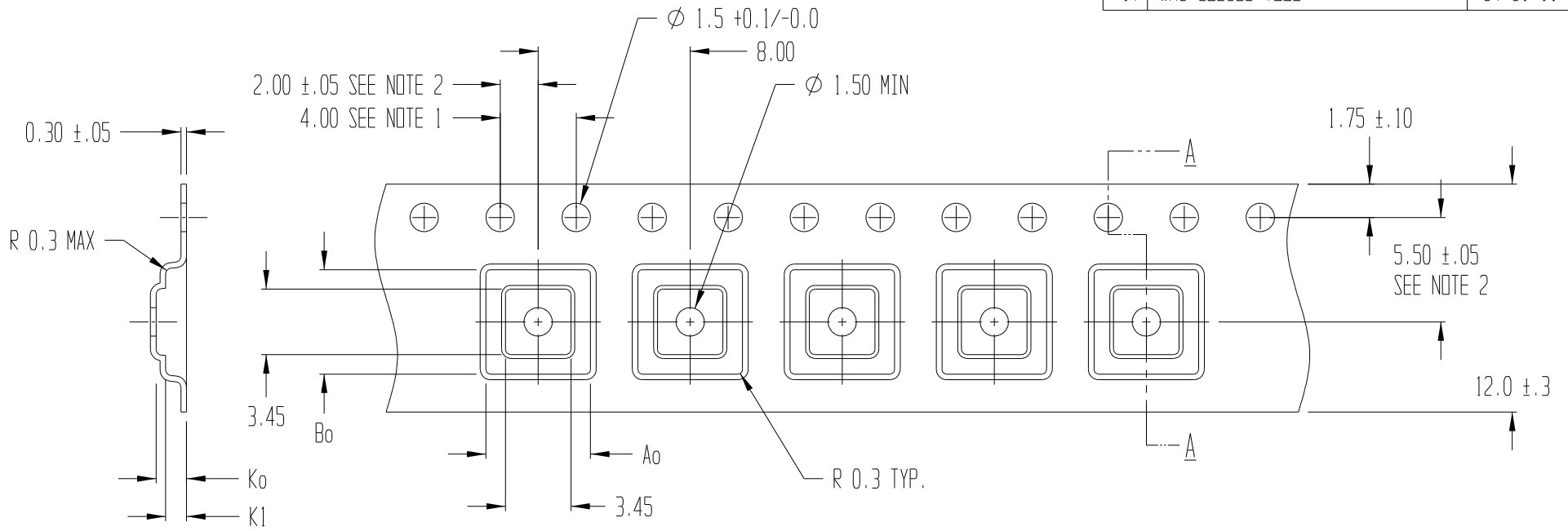


REVISIONS			
REV	DESCRIPTION	DATE	APPROVED
1.	WAS COLSED TOOL	04/01/11	JH



SECTION A - A

$Ao = 5.5$   
 $Bo = 5.5$   
 $Ko = 1.6$   
 $K1 = 1.1$

- NOTES:
- 10 SPROCKET HOLE PITCH CUMULATIVE TOLERANCE  $\pm 0.2$
  - POCKET POSITION RELATIVE TO SPROCKET HOLE MEASURED AS TRUE POSITION OF POCKET, NOT POCKET HOLE
  - $Ao$  AND  $Bo$  ARE CALCULATED ON A PLANE AT A DISTANCE "R" ABOVE THE BOTTOM OF THE POCKET.



TITLE ADVANTEK PART DRAWING NUMBER BG0505-B CARRIER TAPE			
TOLERANCES - UNLESS NOTED 1PL $\pm .2$ 2PL $\pm .10$	MATERIAL PS+C	DWG SIZE B	
ALL DIMS IN MILLIMETERS PER ASME Y14.5M			
DRAWN BY BTH	DATE 04/06/2001	SCALE 4:1	SHEET 1 OF 1
CK'D BY	PROJECT NO. T-10962-A / 7666.00	DWG NO. T103264BT	REV 1