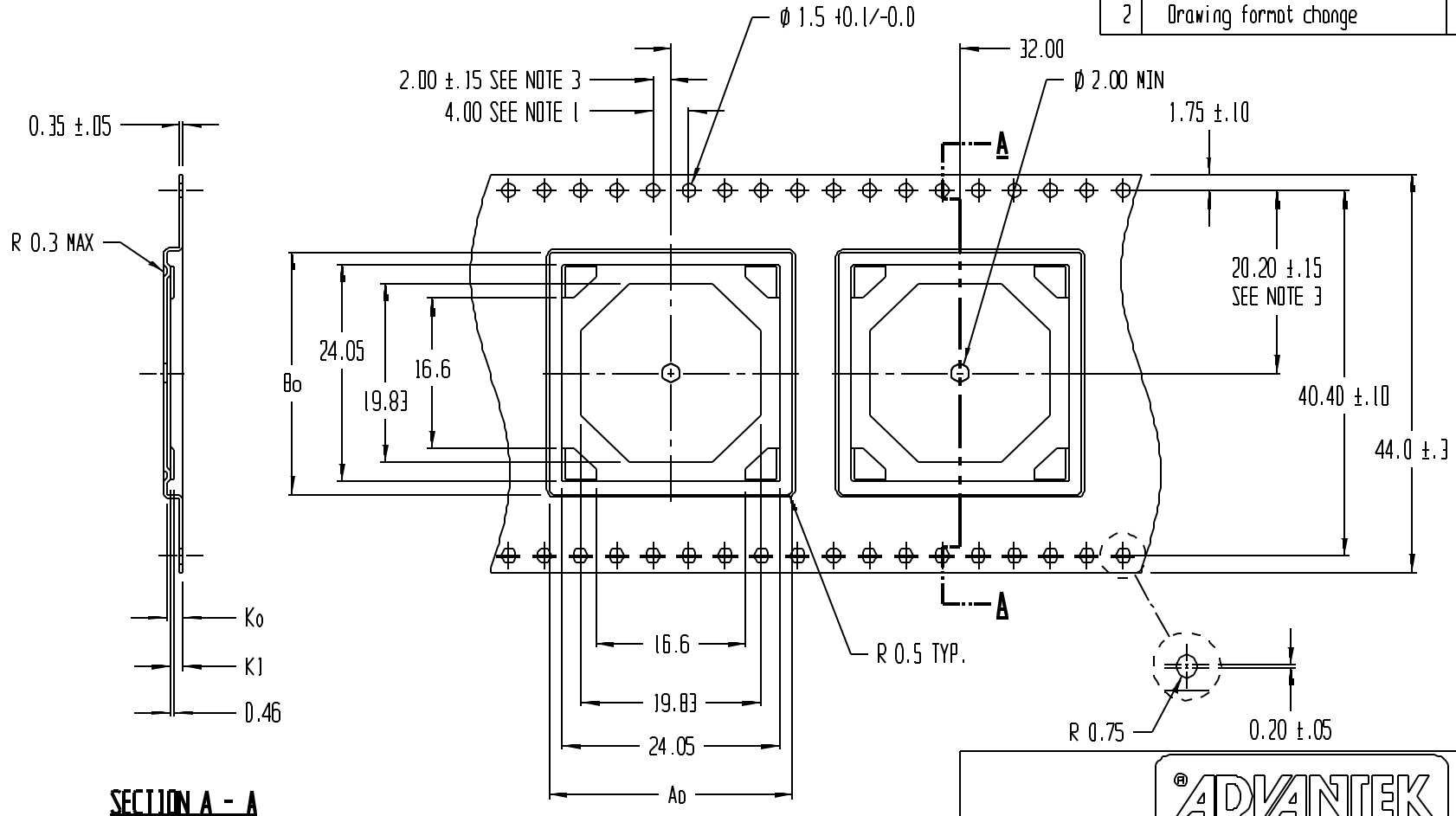


REVISIONS			
REV	DESCRIPTION	DATE	APPROVED
1	Ad & Bo were 27.04	11/19/98	BTH
2	Drawing format change	1/26/03	BVB



SECTION A - A

NOTES:

1. 10 SPROCKET HOLE PITCH CUMULATIVE TOLERANCE ± 0.2
2. CAMBER IN COMPLIANCE WITH EIA 481
3. POCKET POSITION RELATIVE TO SPROCKET HOLE MEASURED AS TRUE POSITION OF POCKET, NOT POCKET HOLE

$A_0 = 26.85$
 $B_0 = 26.85$
 $K_0 = 1.80$
 $K_1 = 1.58$



TITLE ADVANTEK PART DRAWING NUMBER L24X24-A CARRIER TAPE			
TOLERANCES - UNLESS NOTED 1PL ± 0.2 2PL ± 0.10		MATERIAL PS+C	
		ALL DIMENSIONS IN MILLIMETERS	DWG SIZE B
DRAWN BY RJB/BVB	DATE 5/19/98	SCALE 2:1	SHEET 1 OF 1
REFERENCE NO. T-7514-A	DWG NO. T101697AT	REV 2	