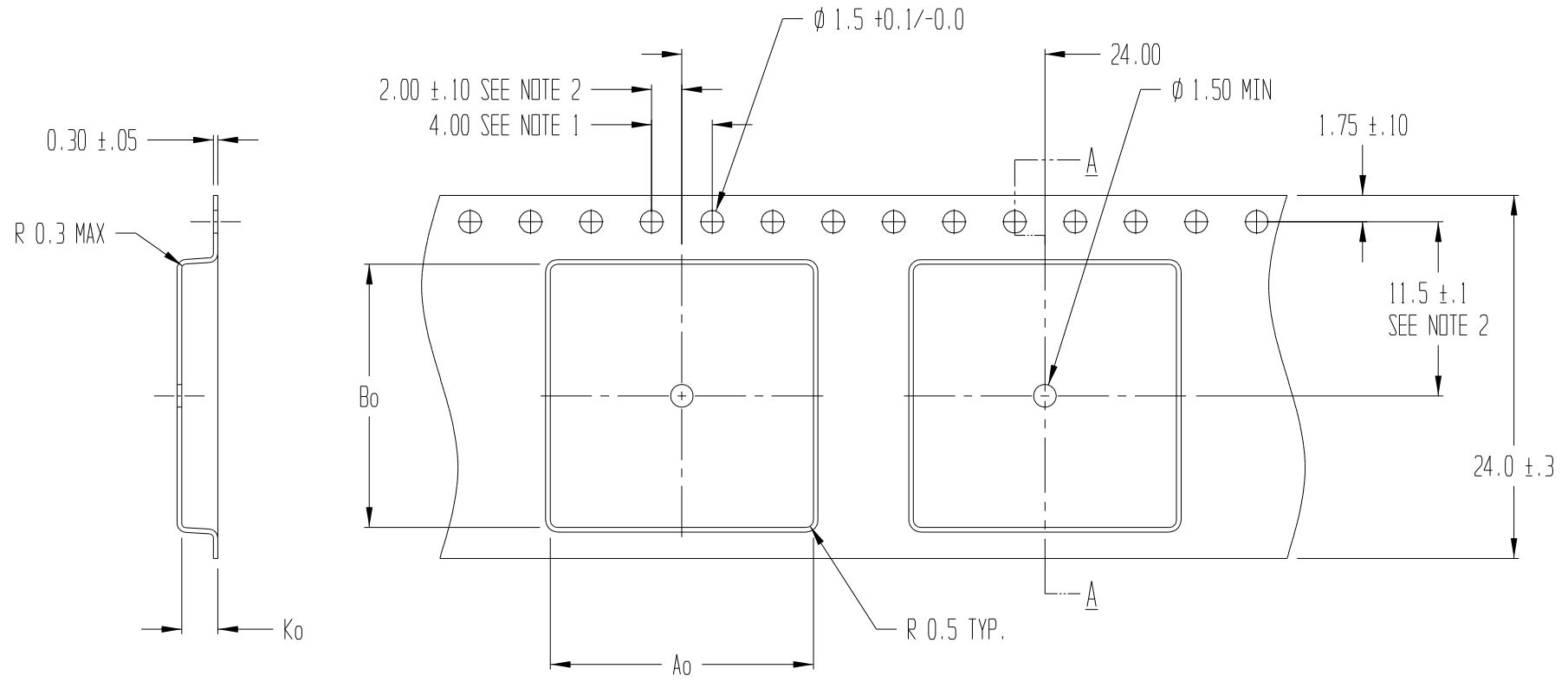


REVISIONS			
REV	DESCRIPTION	DATE	APPROVED
2.	WAS A CUSTOM TOOL	08/30/11	JH



SECTION A - A

Ao = 17.40
Bo = 17.40
Ko = 2.40

- NOTES:
1. 10 SPROCKET HOLE PITCH CUMULATIVE TOLERANCE ± 0.2
 2. POCKET POSITION RELATIVE TO SPROCKET HOLE MEASURED AS TRUE POSITION OF POCKET, NOT POCKET HOLE
 3. Ao AND Bo ARE CALCULATED ON A PLANE AT A DISTANCE "R" ABOVE THE BOTTOM OF THE POCKET.



TITLE ADVANTEK PART DRAWING NUMBER BG1717-F CARRIER TAPE			
TOLERANCES - UNLESS NOTED 1PL ± 0.2 2PL ± 0.10	MATERIAL PS+C	DWG SIZE B	
ALL DIMS IN MILLIMETERS PER ASME Y14.5M			
DRAWN BY BTH/BVB	DATE 11/29/99	SCALE 3:1	SHEET 1 OF 1
CK'D BY	PROJECT NO. 7667.00	DWG NO. T102616AT	REV 2