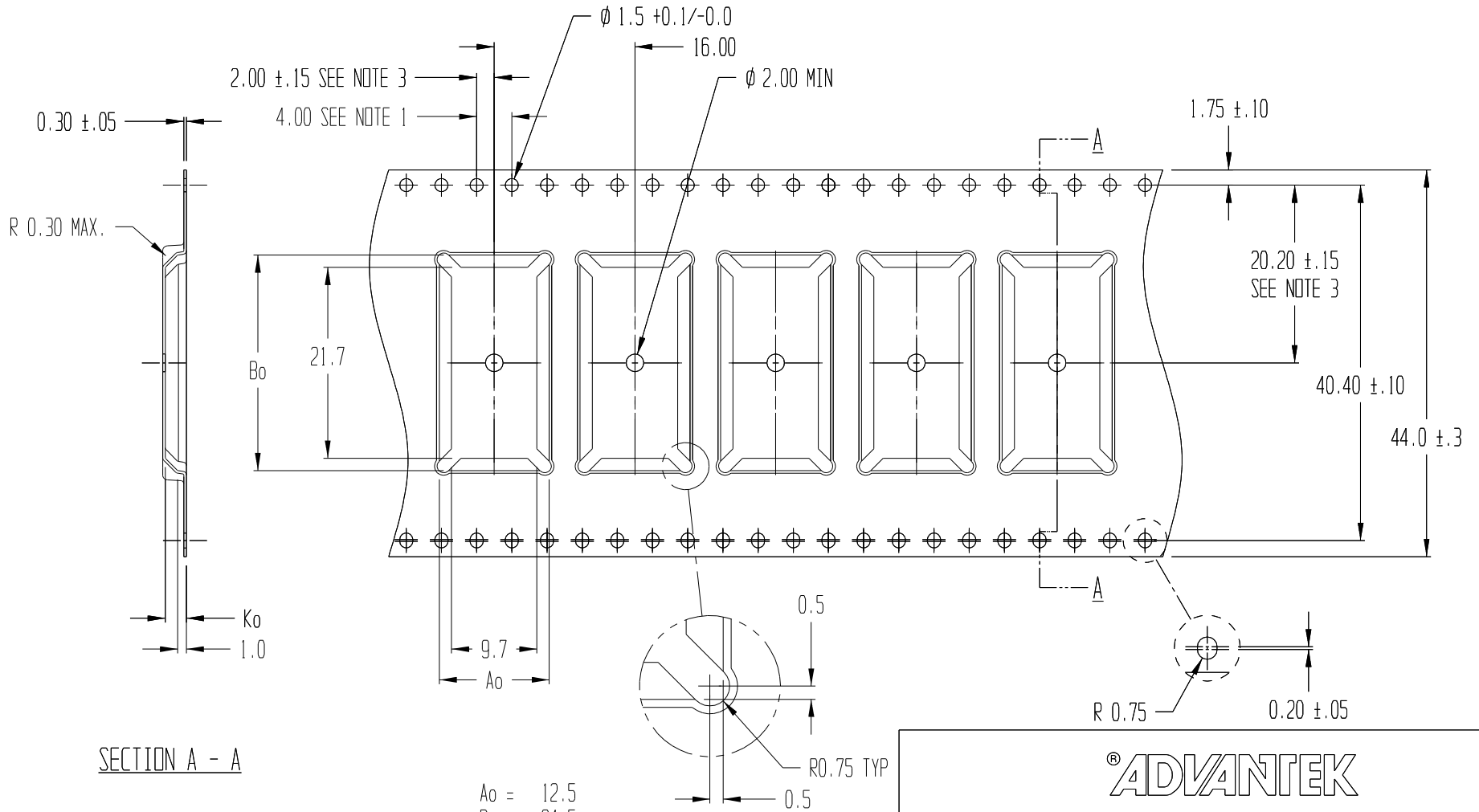


REVISIONS			
REV	DESCRIPTION	DATE	APPROVED



SECTION A - A

$A_o = 12.5$
 $B_o = 24.5$
 $K_o = 2.4$

NOTES:

1. 10 SPROCKET HOLE PITCH CUMULATIVE TOLERANCE ± 0.2
2. CAMBER IN COMPLIANCE WITH EIA 481
3. POCKET POSITION RELATIVE TO SPROCKET HOLE MEASURED AS TRUE POSITION OF POCKET, NOT POCKET HOLE

ADVANTEK

TITLE ADVANTEK PART DRAWING NUMBER FEA009-A CARRIER TAPE			
TOLERANCES - UNLESS NOTED 1PL ± 0.2 2PL ± 0.10		MATERIAL PS+C	
DRAWN BY ALM		DATE 2/20/08	SCALE 2:1
REFERENCE NO. 3438.02		DWG NO. T106671BT	SHEET 1 OF 1
		REV	