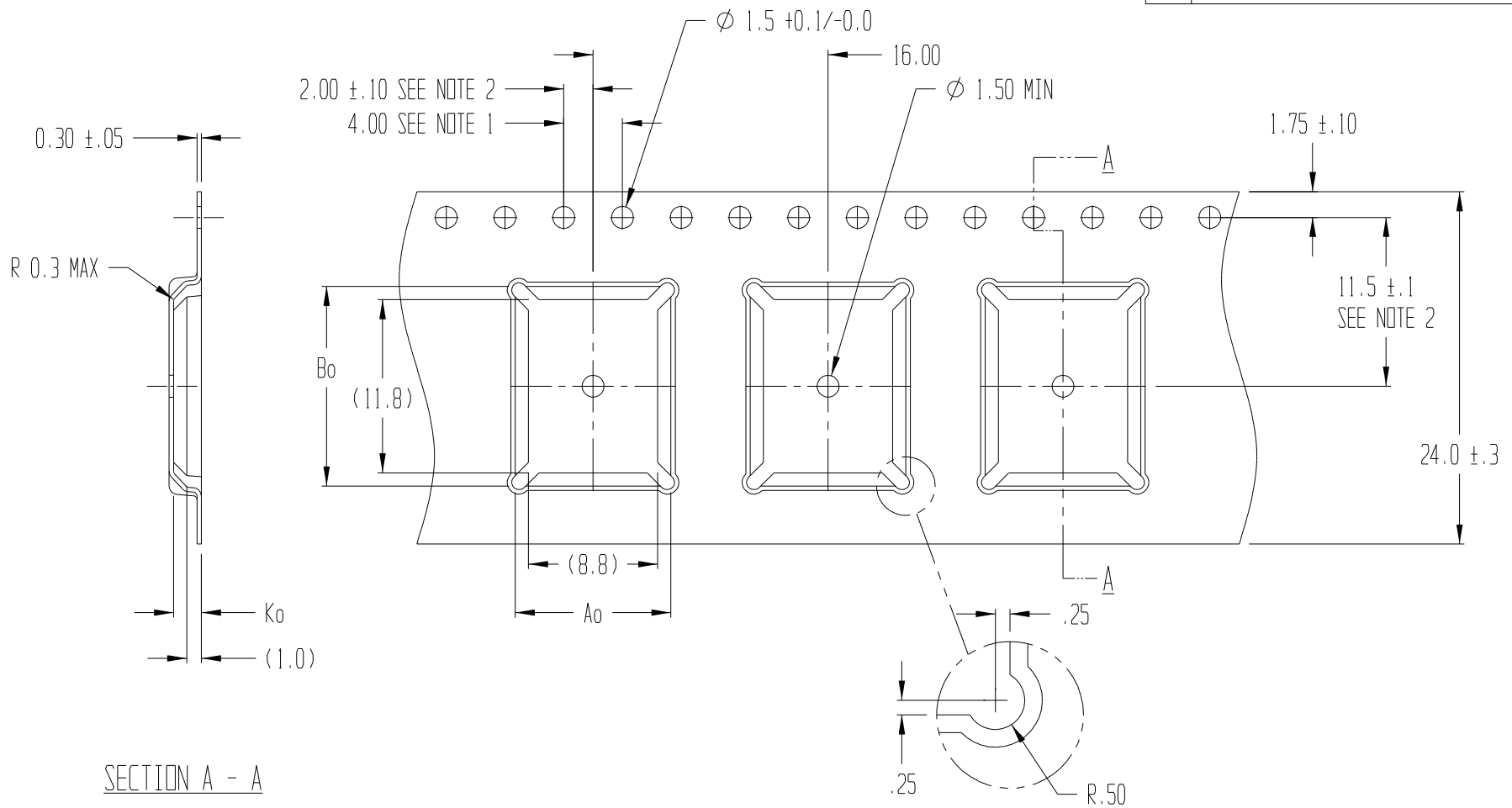


REVISIONS			
REV	DESCRIPTION	DATE	APPROVED
1	WAS CUSTOM TOOL	2/2/11	TMO



SECTION A - A

Ao = 10.6
Bo = 13.6
Ko = 1.9

- NOTES:
1. 10 SPROCKET HOLE PITCH CUMULATIVE TOLERANCE ± 0.2
 2. POCKET POSITION RELATIVE TO SPROCKET HOLE MEASURED AS TRUE POSITION OF POCKET, NOT POCKET HOLE
 3. Ao AND Bo ARE CALCULATED ON A PLANE AT A DISTANCE "R" ABOVE THE BOTTOM OF THE POCKET.



TITLE ADVANTEK PART DRAWING NUMBER BG1013-A CARRIER TAPE			
TOLERANCES - UNLESS NOTED 1PL ± 0.2 2PL ± 0.10	MATERIAL PS+C	DWG SIZE B	
ALL DIMS IN MILLIMETERS PER ASME Y14.5M			
DRAWN BY BTH	DATE 09/10/2001	SCALE 3:1	SHEET 1 OF 1
CK'D BY	PROJECT NO. T-11307-A / 7417.00	DWG NO. T103424BT	REV 1