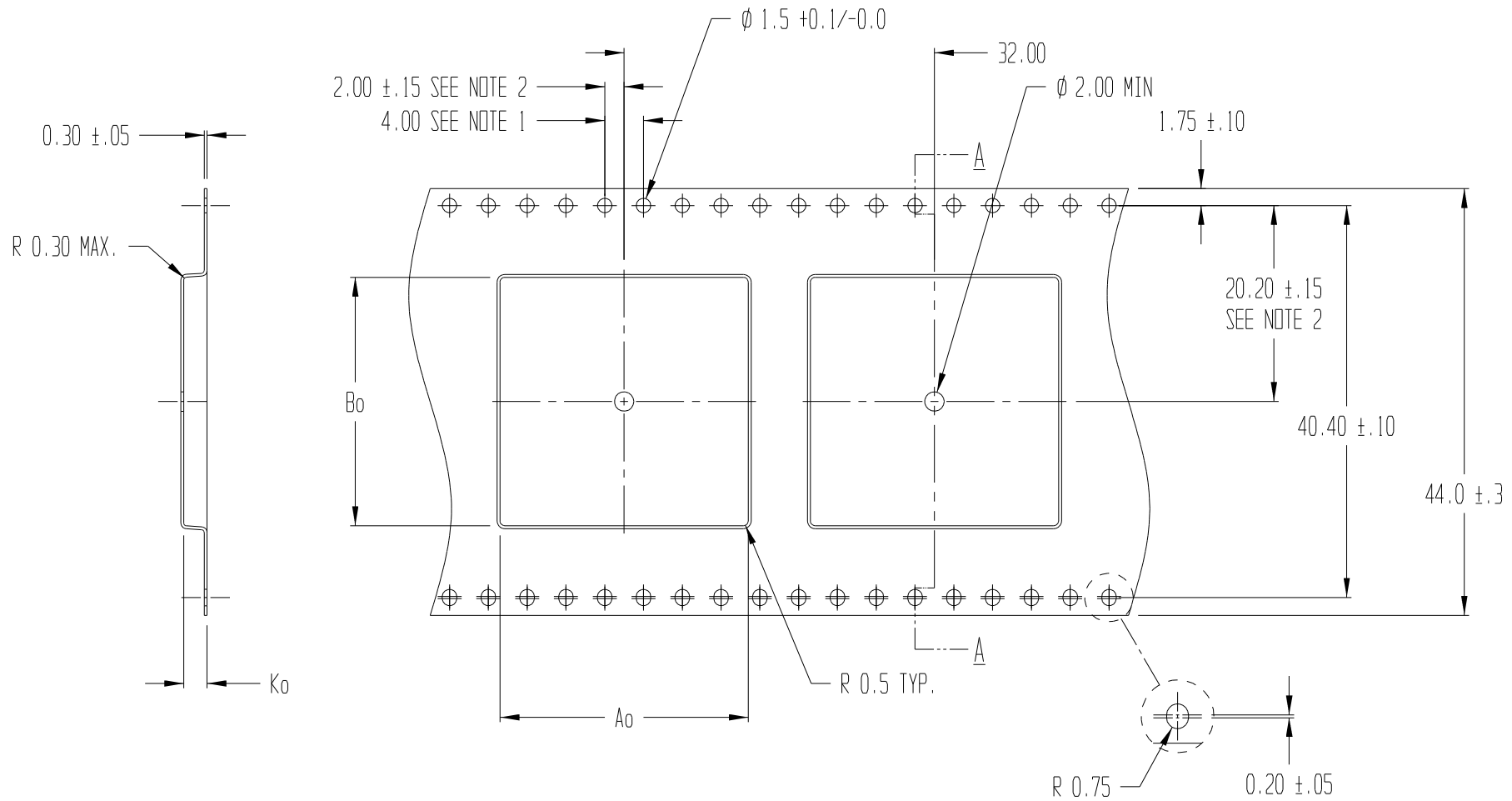


REVISIONS

REV	DESCRIPTION	DATE	APPROVED
2.	WAS A CUSTOM TOOL	08/26/11	JH



SECTION A - A

Ao = 25.60
Bo = 25.60
Ko = 2.40

NOTES:

- 10 SPROCKET HOLE PITCH CUMULATIVE TOLERANCE ± 0.2
- POCKET POSITION RELATIVE TO SPROCKET HOLE MEASURED AS TRUE POSITION OF POCKET, NOT POCKET HOLE
- Ao AND Bo ARE CALCULATED ON A PLANE AT A DISTANCE "R" ABOVE THE BOTTOM OF THE POCKET.



TITLE ADVANTEK PART DRAWING NUMBER BGA361-A CARRIER TAPE			
TOLERANCES - UNLESS NOTED 1PL ± 0.2 2PL ± 0.10	MATERIAL PS+C	DWG SIZE B	
ALL DIMS IN MILLIMETERS PER ASME Y14.5M			
DRAWN BY T.S./BTH	DATE 05/24/94	SCALE 2:1	SHEET 1 OF 1
CK'D BY	PROJECT NO. 7667.00	DWG NO. A0524-94-1	REV 2