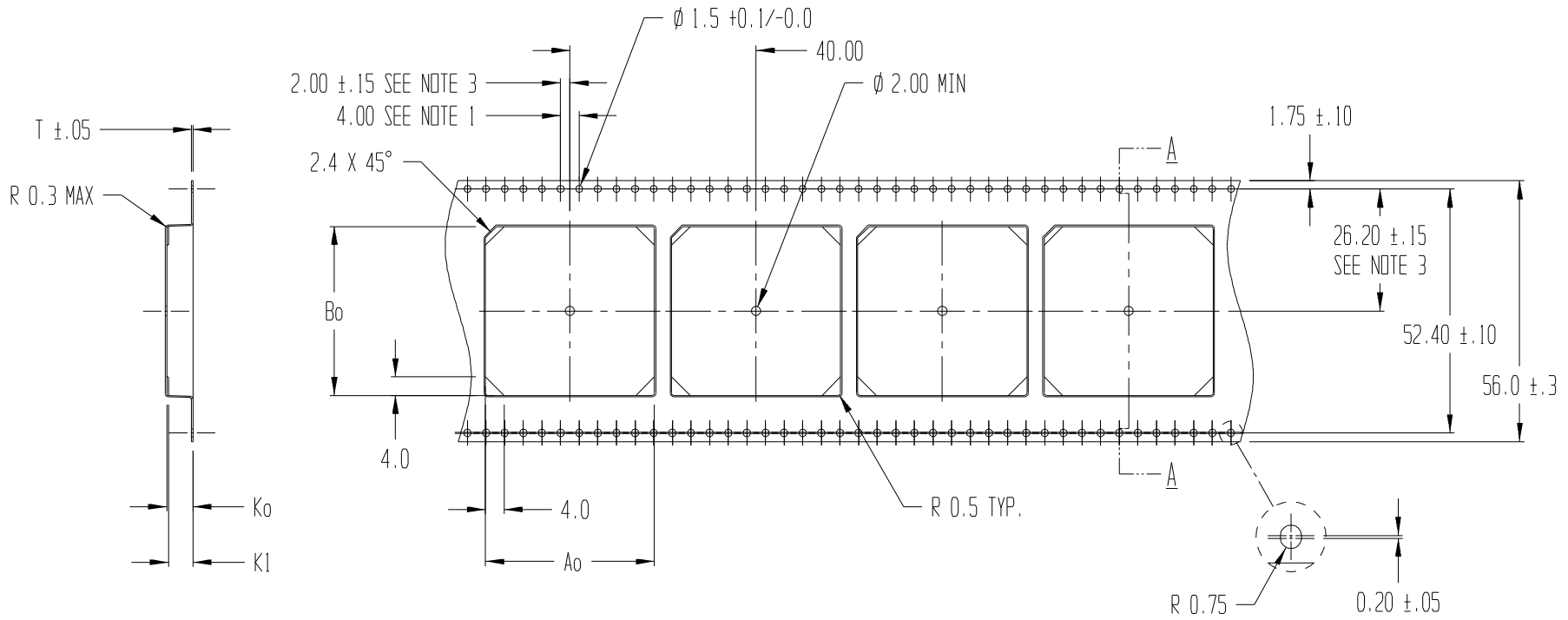


REVISIONS			
REV	DESCRIPTION	DATE	APPROVED
1	Drawing format change	3/18/03	BVB



SECTION A - A

Ao = 36.30
 Bo = 36.30
 Ko = 5.60
 K1 = 5.20

PART #	T	MATERIAL	DWG NO.
PLSK84-AC	0.30	PS+C	A0215-94-3(1)
PLSK84-AX	0.35	PS+C	A0224-94-6(1)

- NOTES:
- 10 SPROCKET HOLE PITCH CUMULATIVE TOLERANCE ± 0.2
 - CAMBER IN COMPLIANCE WITH EIA 481
 - POCKET POSITION RELATIVE TO SPROCKET HOLE MEASURED AS TRUE POSITION OF POCKET, NOT POCKET HOLE



ADVANTEK PART DRAWING NUMBER PLSK84-A CARRIER TAPE			
TOLERANCES - UNLESS NOTED 1PL ± 0.2 2PL ± 0.10		MATERIAL SEE TABLE	
DRAWN BY T.S./BVB		DATE 1/14/94	DWG SIZE B
SCALE 1:1		SHEET 1 OF 1	
REFERENCE NO.		DWG NO. SEE TABLE	
REV			