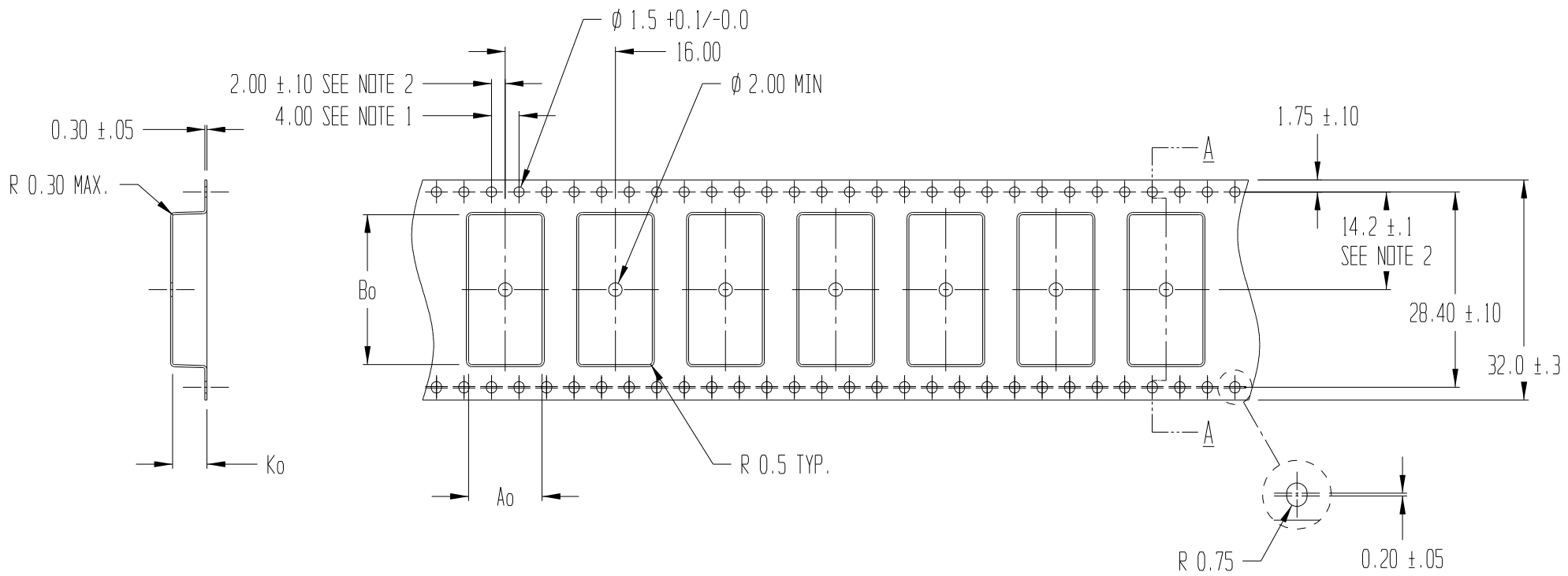



REVISIONS			
REV	DESCRIPTION	DATE	APPROVED
3.	WAS COLSED TOOL	04/15/11	JH



SECTION A - A

$A_0 = 10.70$
 $B_0 = 21.80$
 $K_0 = 5.00$

- NOTES:
1. 10 SPROCKET HOLE PITCH CUMULATIVE TOLERANCE ± 0.2
 2. POCKET POSITION RELATIVE TO SPROCKET HOLE MEASURED AS TRUE POSITION OF POCKET, NOT POCKET HOLE
 3. A_0 AND B_0 ARE CALCULATED ON A PLANE AT A DISTANCE "R" ABOVE THE BOTTOM OF THE POCKET.

 ADVANTEK [®] engineered confidence™			
TITLE ADVANTEK PART DRAWING NUMBER CAPGW8-A CARRIER TAPE			
TOLERANCES - UNLESS NOTED 1PL ± 0.2 2PL ± 0.10	MATERIAL PS+C	DWG SIZE B	
DRAWN BY BJD		DATE 11/27/89	SCALE 3:2
CK'D BY		PROJECT NO. A1127-89-3 / 7666.00	DWG NO. A1127-89-3
			SHEET 1 OF 1
			REV 3