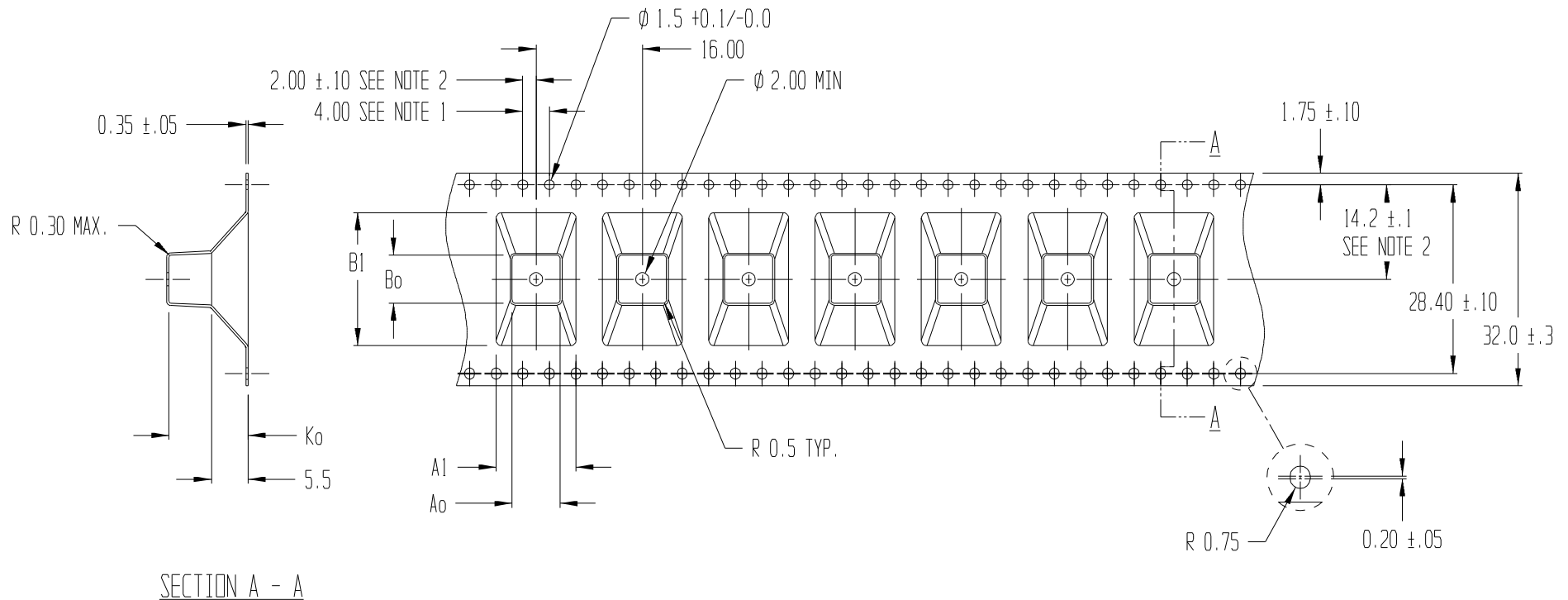



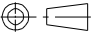
REVISIONS			
REV	DESCRIPTION	DATE	APPROVED
2	WAS CLOSED TOOL	2/22/11	BTH



$A_0 = 7.20$
 $A_1 = 12.00$
 $B_0 = 7.20$
 $B_1 = 20.00$
 $K_0 = 11.90$

NOTES:

1. 10 SPROCKET HOLE PITCH CUMULATIVE TOLERANCE ± 0.2
2. POCKET POSITION RELATIVE TO SPROCKET HOLE MEASURED AS TRUE POSITION OF POCKET, NOT POCKET HOLE
3. A_0 AND B_0 ARE CALCULATED ON A PLANE AT A DISTANCE "R" ABOVE THE BOTTOM OF THE POCKET.

 ADVANTEK [®] engineered confidence™			
TITLE ADVANTEK PART DRAWING NUMBER 825MB5-A CARRIER TAPE			
TOLERANCES - UNLESS NOTED 1PL ± 0.2 2PL ± 0.10		MATERIAL PS+C	DWG SIZE B
ALL DIMS IN MILLIMETERS PER ASME Y14.5M 			
DRAWN BY RJB		DATE 10/1/1998	SCALE 3:2
CK'D BY		PROJECT NO. T-7991/ 7417.00	DWG NO. T101748AT
			REV 2