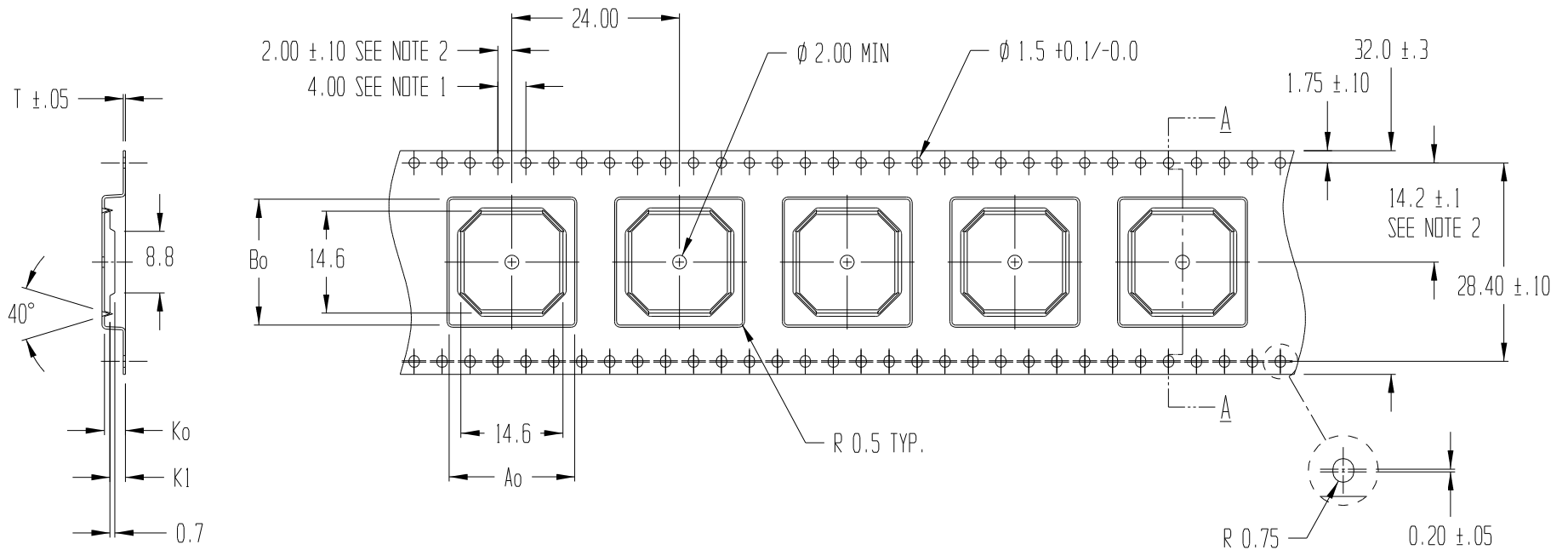


REVISIONS			
REV	DESCRIPTION	DATE	APPROVED
4	ADDED TABLE	7/16/11	TMD



SECTION A - A

Ao = 18.00  
Bo = 18.00  
Ko = 3.00  
K1 = 2.20

US PATENT 5152393

NOTES:

1. 10 SPROCKET HOLE PITCH CUMULATIVE TOLERANCE  $\pm 0.2$
2. POCKET POSITION RELATIVE TO SPROCKET HOLE MEASURED AS TRUE POSITION OF POCKET, NOT POCKET HOLE
3. Ao AND Bo ARE CALCULATED ON A PLANE AT A DISTANCE "R" ABOVE THE BOTTOM OF THE POCKET.

PART #	T	MATERIAL	DWG #
Q14X14-CX	.35	PS+C	A0610-92-1
Q14X14-CC	.30	PS+C	T104938BT



**ADVANTEK**<sup>®</sup>  
engineered confidence™

TITLE ADVANTEK PART DRAWING NUMBER Q14X14-C CARRIER TAPE			
TOLERANCES - UNLESS NOTED 1PL $\pm 0.2$ 2PL $\pm 0.10$	MATERIAL SEE NOTES	DWG SIZE B	
ALL DIMS IN MILLIMETERS PER ASME Y14.5M			
DRAWN BY BTH	DATE 12/17/04	SCALE 3:2	SHEET 1 OF 1
CK'D BY	PROJECT NO.	DWG NO. SEE NOTES	REV 4