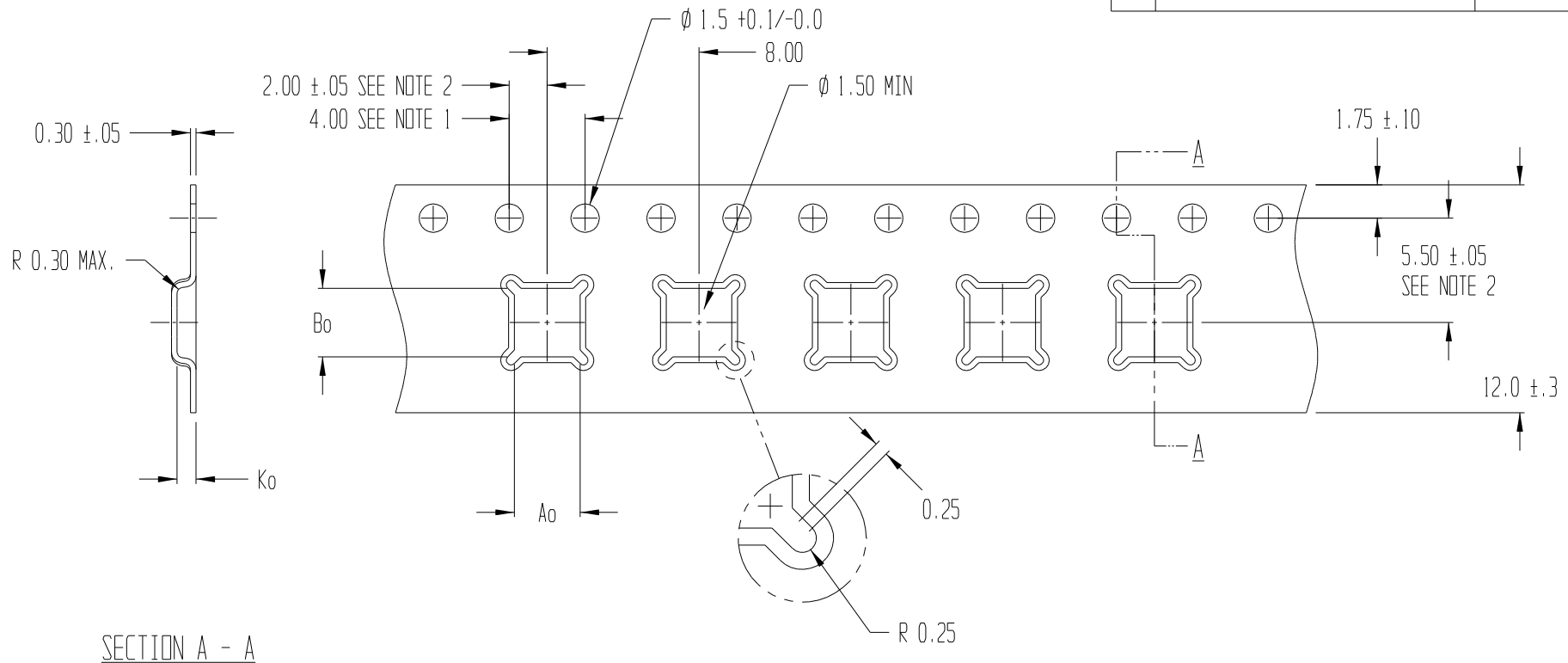


REVISIONS			
REV	DESCRIPTION	DATE	APPROVED
1	WAS CLOSE TOOL	1/28/2011	XHL



SECTION A - A

$A_0 = 3.46$
 $B_0 = 3.61$
 $K_0 = 1.00$

NOTES:

1. 10 SPROCKET HOLE PITCH CUMULATIVE TOLERANCE ± 0.2
2. POCKET POSITION RELATIVE TO SPROCKET HOLE MEASURED AS TRUE POSITION OF POCKET, NOT POCKET HOLE
3. A_0 AND B_0 ARE CALCULATED ON A PLANE AT A DISTANCE "R" ABOVE THE BOTTOM OF THE POCKET.



TITLE ADVANTEK PART DRAWING NUMBER ALGR02-A CARRIER TAPE			
TOLERANCES - UNLESS NOTED 1PL ± 0.2 2PL ± 0.10	MATERIAL PS+C	DWG SIZE B	
ALL DIMS IN MILLIMETERS PER ASME Y14.5M			
DRAWN BY BTH	DATE 5/27/1999	SCALE 4:1	SHEET 1 OF 1
CK'D BY	PROJECT NO. 7666.00	DWG NO. T102248AT	REV 2