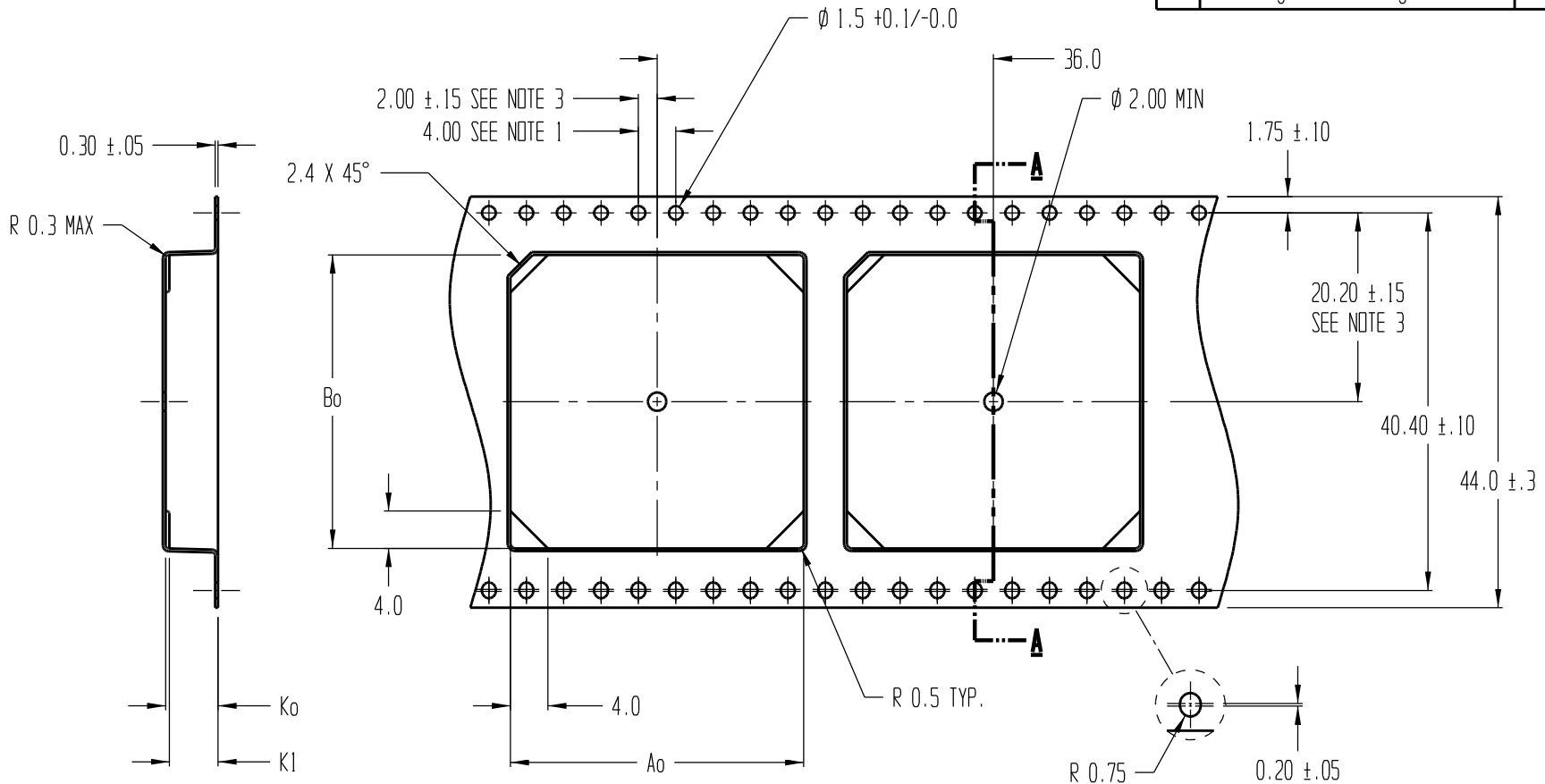


REVISIONS			
REV	DESCRIPTION	DATE	APPROVED
1	Drawing format change	3/18/03	BVB



SECTION A - A

- NOTES:
1. 10 SPROCKET HOLE PITCH CUMULATIVE TOLERANCE ± 0.2
 2. CAMBER IN COMPLIANCE WITH EIA 481
 3. POCKET POSITION RELATIVE TO SPROCKET HOLE MEASURED AS TRUE POSITION OF POCKET, NOT POCKET HOLE

$A_o = 31.40$
 $B_o = 31.40$
 $K_o = 5.60$
 $K_1 = 5.20$



TITLE ADVANTEK PART DRAWING NUMBER PLSK68-A CARRIER TAPE			
TOLERANCES - UNLESS NOTED 1PL ± 0.2 2PL ± 0.10	MATERIAL PS+C	ALL DIMENSIONS IN MILLIMETERS DWG SIZE B	
DRAWN BY T.S./BVB	DATE 10/25/93	SCALE 2:1	SHEET 1 OF 1
REFERENCE NO.	DWG NO. A1109-93-3	REV 1	