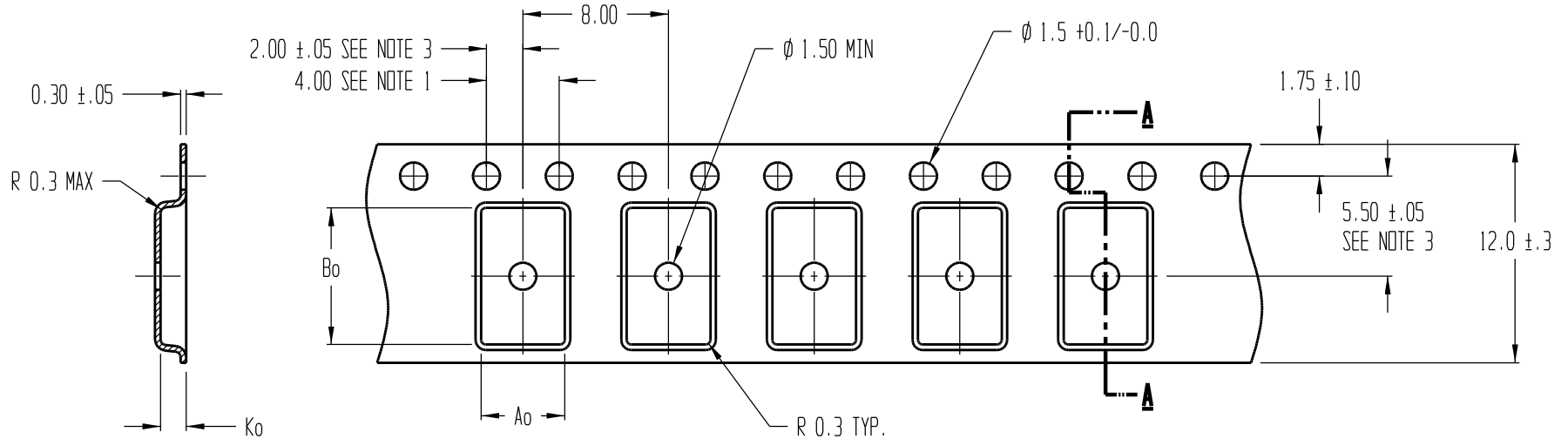


REVISIONS			
REV	DESCRIPTION	DATE	APPROVED
1	Drawing format change	9/17/02	TMD



**SECTION A - A**

Ao = 4.60  
Bo = 7.50  
Ko = 1.40

- NOTES:
1. 10 SPROCKET HOLE PITCH CUMULATIVE TOLERANCE  $\pm 0.2$
  2. CAMBER IN COMPLIANCE WITH EIA 481
  3. POCKET POSITION RELATIVE TO SPROCKET HOLE MEASURED AS TRUE POSITION OF POCKET, NOT POCKET HOLE

<b>ADVANTEK</b>			
TITLE ADVANTEK PART DRAWING NUMBER TANT.D-B CARRIER TAPE			
TOLERANCES - UNLESS NOTED 1PL $\pm 0.2$ 2PL $\pm 0.10$		MATERIAL PS+C	
		ALL DIMENSIONS IN MILLIMETERS	DWG SIZE B
DRAWN BY SDC/TMD	DATE 05/30/1995	SCALE 4:1	SHEET 1 OF 1
REFERENCE NO.	DWG NO. A0609-95-9	REV 1	