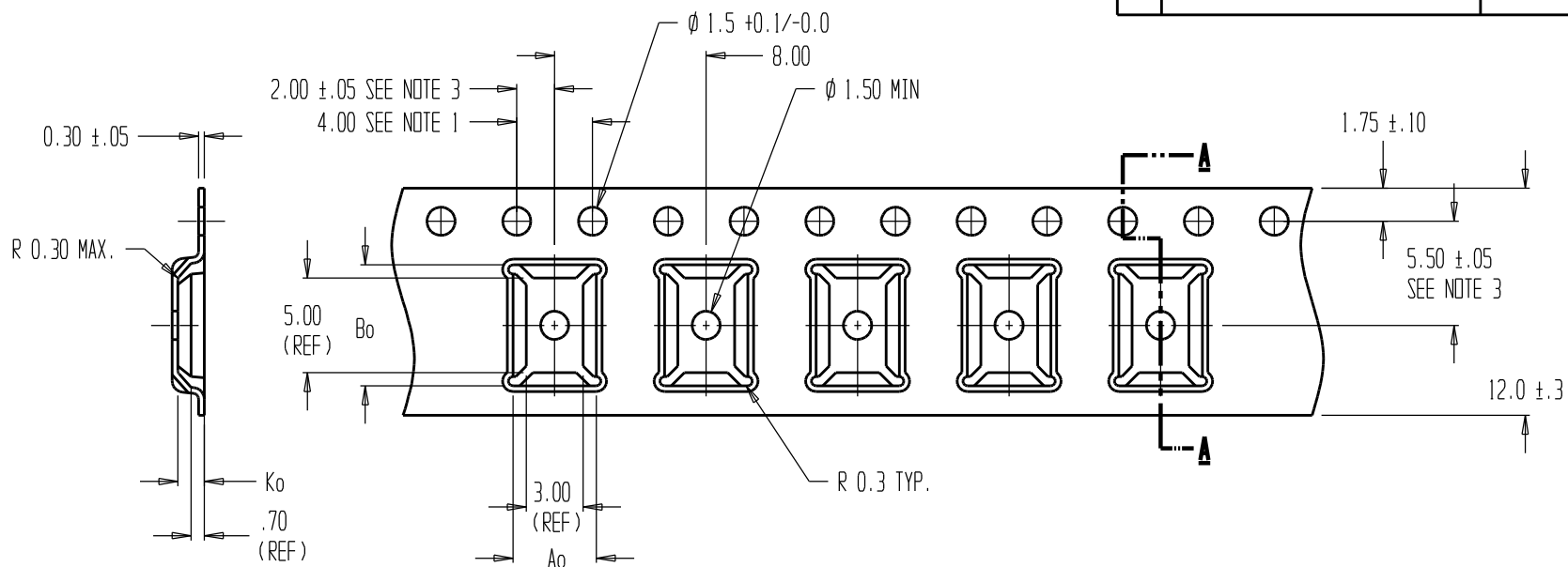


REVISIONS			
REV	DESCRIPTION	DATE	APPROVED



**SECTION A - A**

$A_0 = 4.40$   
 $B_0 = 6.40$   
 $K_0 = 1.40$

**NOTES:**

1. 10 SPROCKET HOLE PITCH CUMULATIVE TOLERANCE  $\pm 0.2$
2. CAMBER IN COMPLIANCE WITH EIA 481
3. POCKET POSITION RELATIVE TO SPROCKET HOLE MEASURED AS TRUE POSITION OF POCKET, NOT POCKET HOLE

<b>ADVANTEK</b>			
TITLE ADVANTEK PART DRAWING NUMBER BGA4x6-T CARRIER TAPE, PTI			
TOLERANCES - UNLESS NOTED 1PL $\pm 0.2$ 2PL $\pm 0.10$		MATERIAL PS+C	
ALL DIMENSIONS IN MILLIMETERS		DWG SIZE B	
DRAWN BY ALM	DATE 08/08/2006	SCALE 4:1	SHEET 1 OF 1
REFERENCE NO. 1785.00	DWG NO. T105744BT	REV	