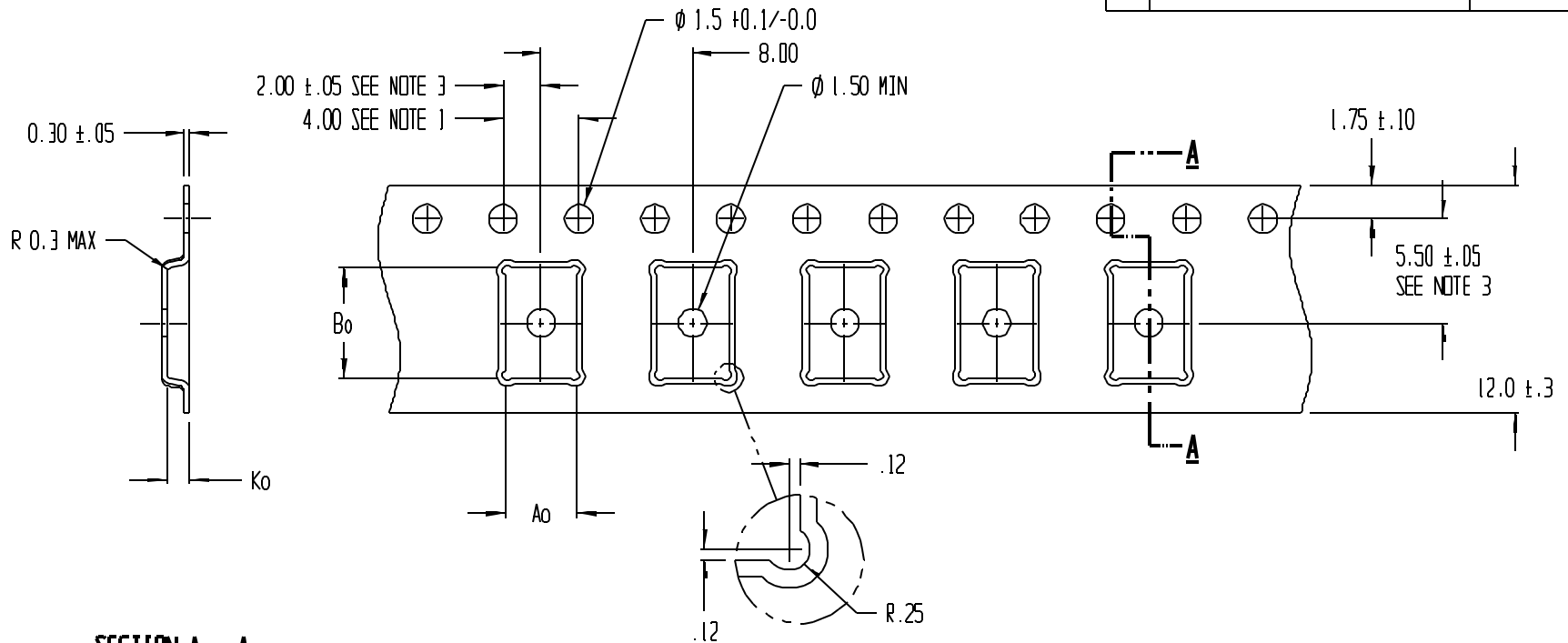


REVISIONS			
REV	DESCRIPTION	DATE	APPROVED



SECTION A - A

Ao = 3.80
Bo = 5.80
Ko = 1.20

NOTES:

1. 10 SPROCKET HOLE PITCH CUMULATIVE TOLERANCE ±0.2
2. CAMBER IN COMPLIANCE WITH EIA 481
3. POCKET POSITION RELATIVE TO SPROCKET HOLE MEASURED AS TRUE POSITION OF POCKET, NOT POCKET HOLE



ADVANTEK			
TITLE ADVANTEK PART DRAWING NUMBER ML3555-A CARRIER TAPE			
TOLERANCES - UNLESS NOTED 1PL ±.2 2PL ±.10		MATERIAL PS+C	
ALL DIMENSIONS IN MILLIMETERS		DWG SIZE B	
DRAWN BY BTH	DATE 08/08/2003	SCALE 4:1	SHEET 1 OF 1
REFERENCE NO. T-12471		DWG NO. T1042898T	REV