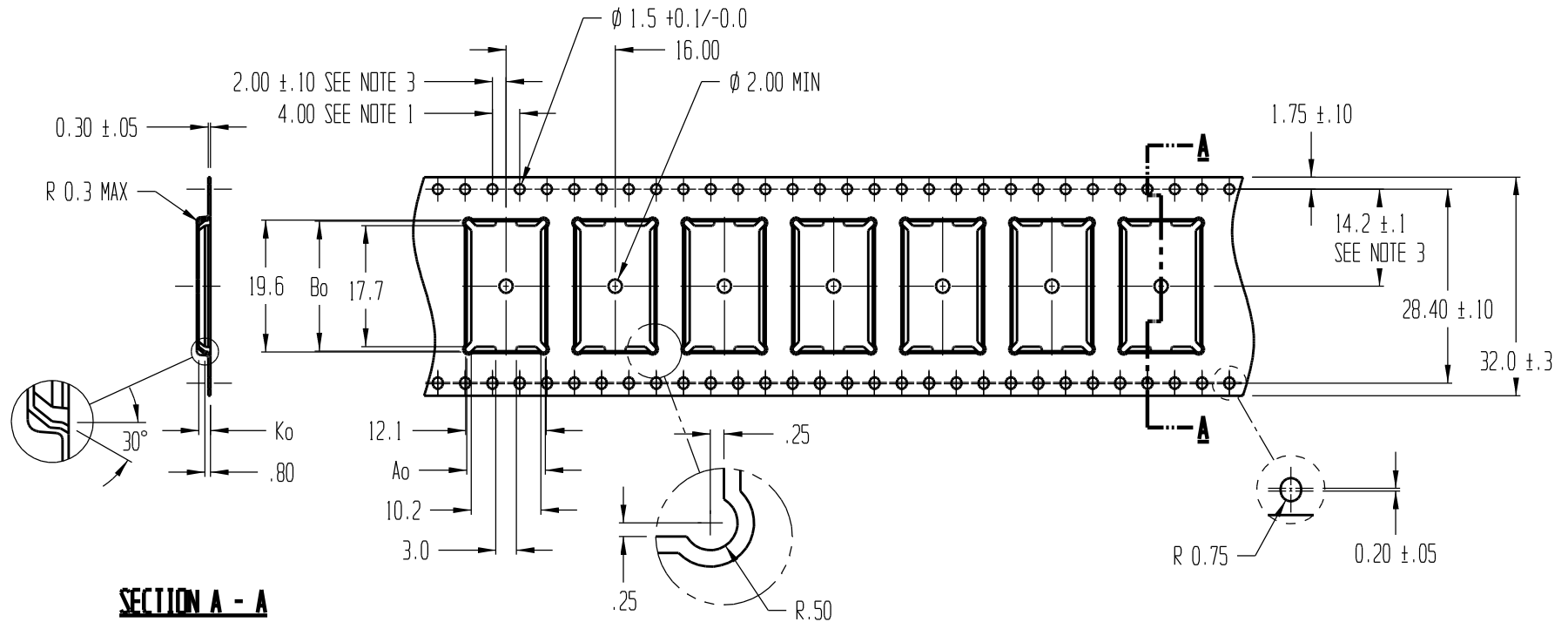


REVISIONS			
REV	DESCRIPTION	DATE	APPROVED



$A_o = 11.5$
 $B_o = 19.0$
 $K_o = 1.7$

- NOTES:
1. 10 SPROCKET HOLE PITCH CUMULATIVE TOLERANCE ± 0.2
 2. CAMBER IN COMPLIANCE WITH EIA 481
 3. POCKET POSITION RELATIVE TO SPROCKET HOLE MEASURED AS TRUE POSITION OF POCKET, NOT POCKET HOLE

ADVANTEK			
TITLE ADVANTEK PART DRAWING NUMBER B11185-A CARRIER TAPE			
TOLERANCES - UNLESS NOTED 1PL ± 2 2PL ± 10		MATERIAL PS+C	
		ALL DIMENSIONS IN MILLIMETERS	DWG SIZE B
DRAWN BY BTH	DATE 10/04/2002	SCALE 3:2	SHEET 1 OF 1
REFERENCE NO. T-11929	DWG NO. T103939BT	REV	