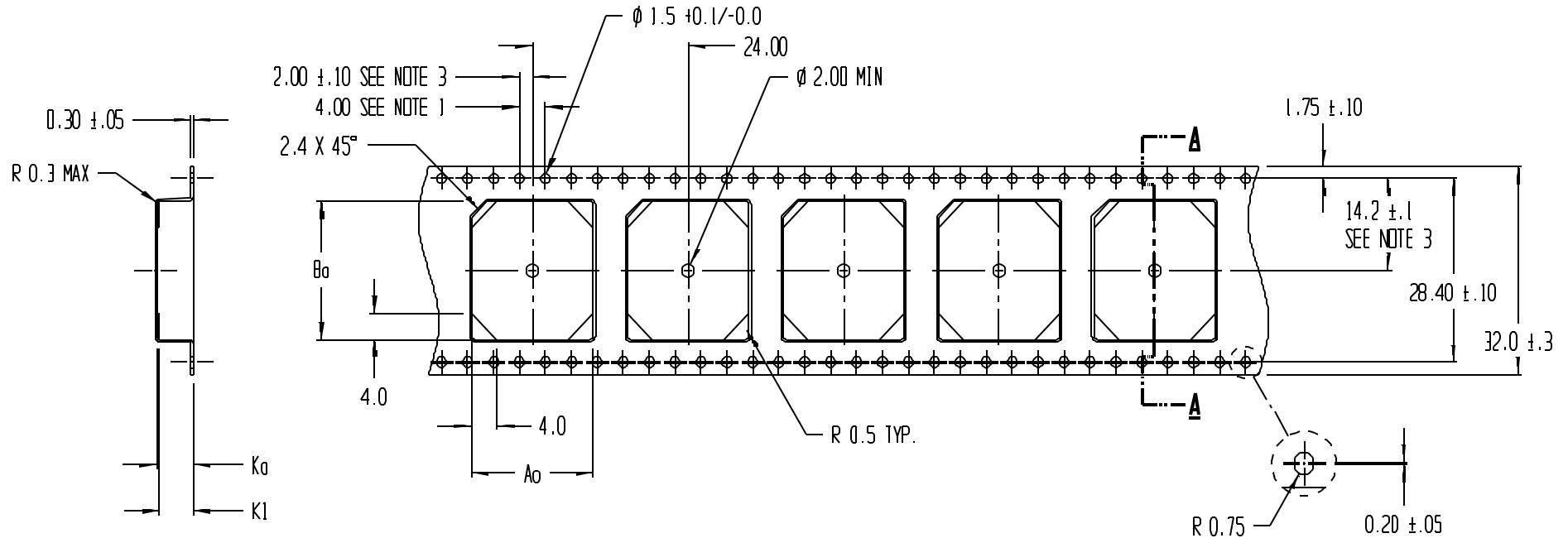


REVISIONS			
REV	DESCRIPTION	DATE	APPROVED
1	Drawing format change	3/18/03	BVB



SECTION A - A

$A_0 = 18.80$
 $B_0 = 21.30$
 $K_0 = 5.60$
 $K_1 = 5.20$

NOTES:

1. 10 SPROCKET HOLE PITCH CUMULATIVE TOLERANCE ± 0.2
2. CAMBER IN COMPLIANCE WITH EIA 481
3. POCKET POSITION RELATIVE TO SPROCKET HOLE MEASURED AS TRUE POSITION OF POCKET, NOT POCKET HOLE



ADVANTEK			
TITLE ADVANTEK PART DRAWING NUMBER PLSK32-A CARRIER TAPE			
TOLERANCES - UNLESS NOTED 1PL ± 0.2 2PL ± 0.10		MATERIAL PS+C	
		ALL DIMENSIONS IN MILLIMETERS	DWG SIZE B
DRAWN BY T.S./BVB	DATE 10/25/93	SCALE 3:2	SHEET 1 OF 1
REFERENCE NO.	DWG NO. A1109-93-1		REV 1