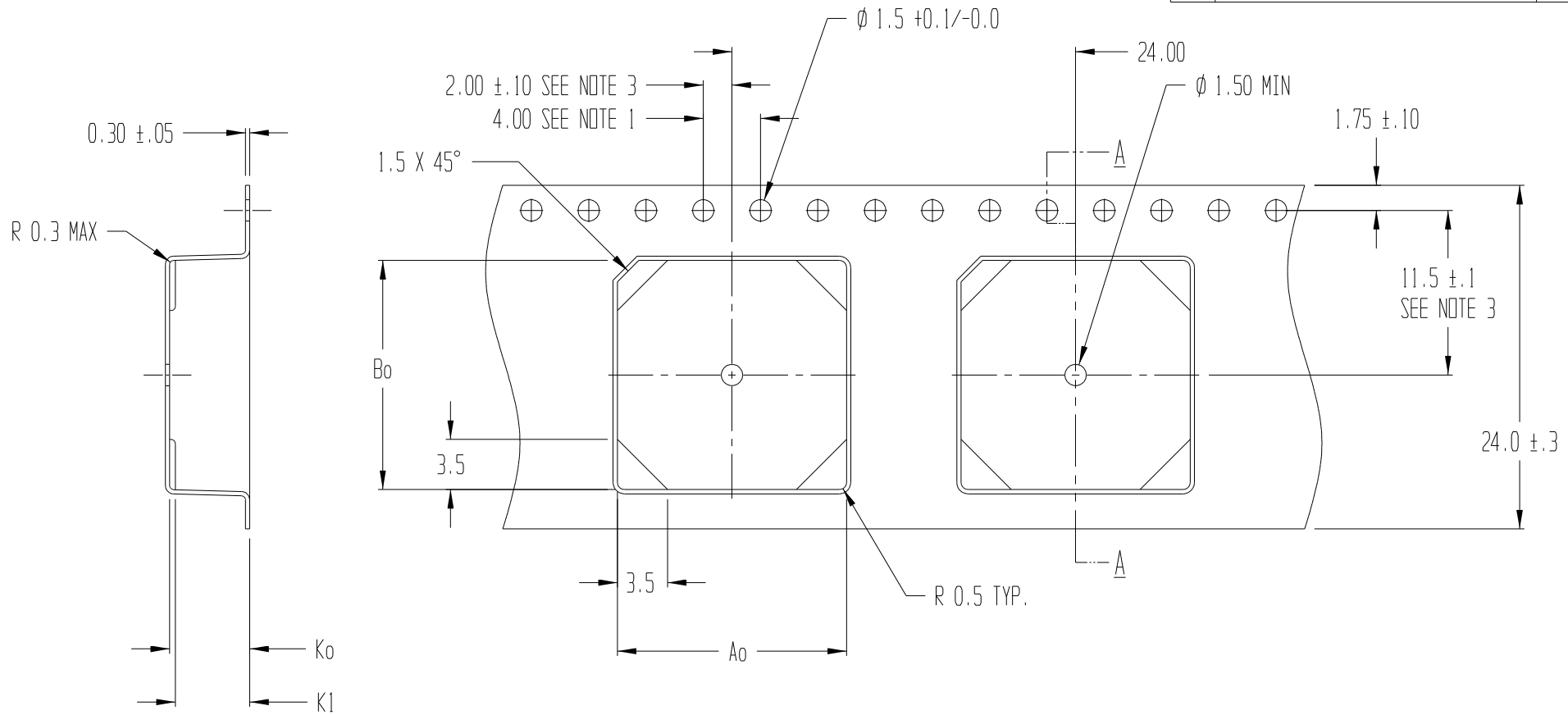


REVISIONS			
REV	DESCRIPTION	DATE	APPROVED
1	Drawing format change	3/18/03	BVB



SECTION A - A

Ao = 16.00
Bo = 16.00
Ko = 5.60
K1 = 5.20

NOTES:

1. 10 SPROCKET HOLE PITCH CUMULATIVE TOLERANCE ± 0.2
2. CAMBER IN COMPLIANCE WITH EIA 481
3. POCKET POSITION RELATIVE TO SPROCKET HOLE MEASURED AS TRUE POSITION OF POCKET, NOT POCKET HOLE



TITLE ADVANTEK PART DRAWING NUMBER PLSK20-A CARRIER TAPE			
TOLERANCES - UNLESS NOTED 1PL ± 0.2 2PL ± 0.10		MATERIAL PS+C	
		ALL DIMENSIONS IN MILLIMETERS	DWG SIZE B
DRAWN BY T.S./BVB	DATE 11/16/93	SCALE 3:1	SHEET 1 OF 1
REFERENCE NO.	DWG NO. A1118-93-1		REV 1