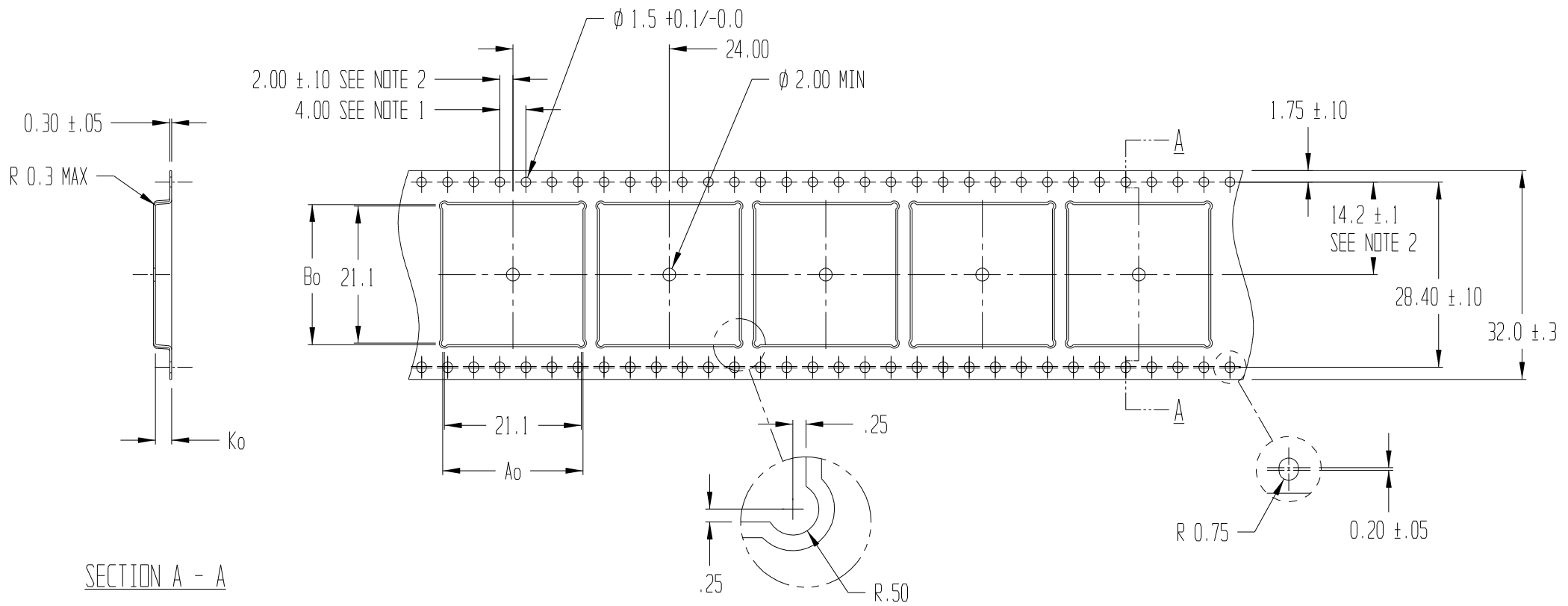


REVISIONS			
REV	DESCRIPTION	DATE	APPROVED
2.	WAS A CUSTOM TOOL	08/30/11	JH



SECTION A - A

Ao = 21.50
Bo = 21.50
Ko = 2.50

- NOTES:
1. 10 SPROCKET HOLE PITCH CUMULATIVE TOLERANCE ± 0.2
 2. POCKET POSITION RELATIVE TO SPROCKET HOLE MEASURED AS TRUE POSITION OF POCKET, NOT POCKET HOLE
 3. Ao AND Bo ARE CALCULATED ON A PLANE AT A DISTANCE "R" ABOVE THE BOTTOM OF THE POCKET.



TITLE ADVANTEK PART DRAWING NUMBER BG2121-C CARRIER TAPE			
TOLERANCES - UNLESS NOTED 1PL ± 0.2 2PL ± 0.10	MATERIAL PS+C	DWG SIZE B	
ALL DIMS IN MILLIMETERS PER ASME Y14.5M			
DRAWN BY RJB/BVB	DATE 3/23/99	SCALE 3:2	SHEET 1 OF 1
CK'D BY	PROJECT NO. T-8511 / 7667.00	DWG NO. T102100AT	REV 2