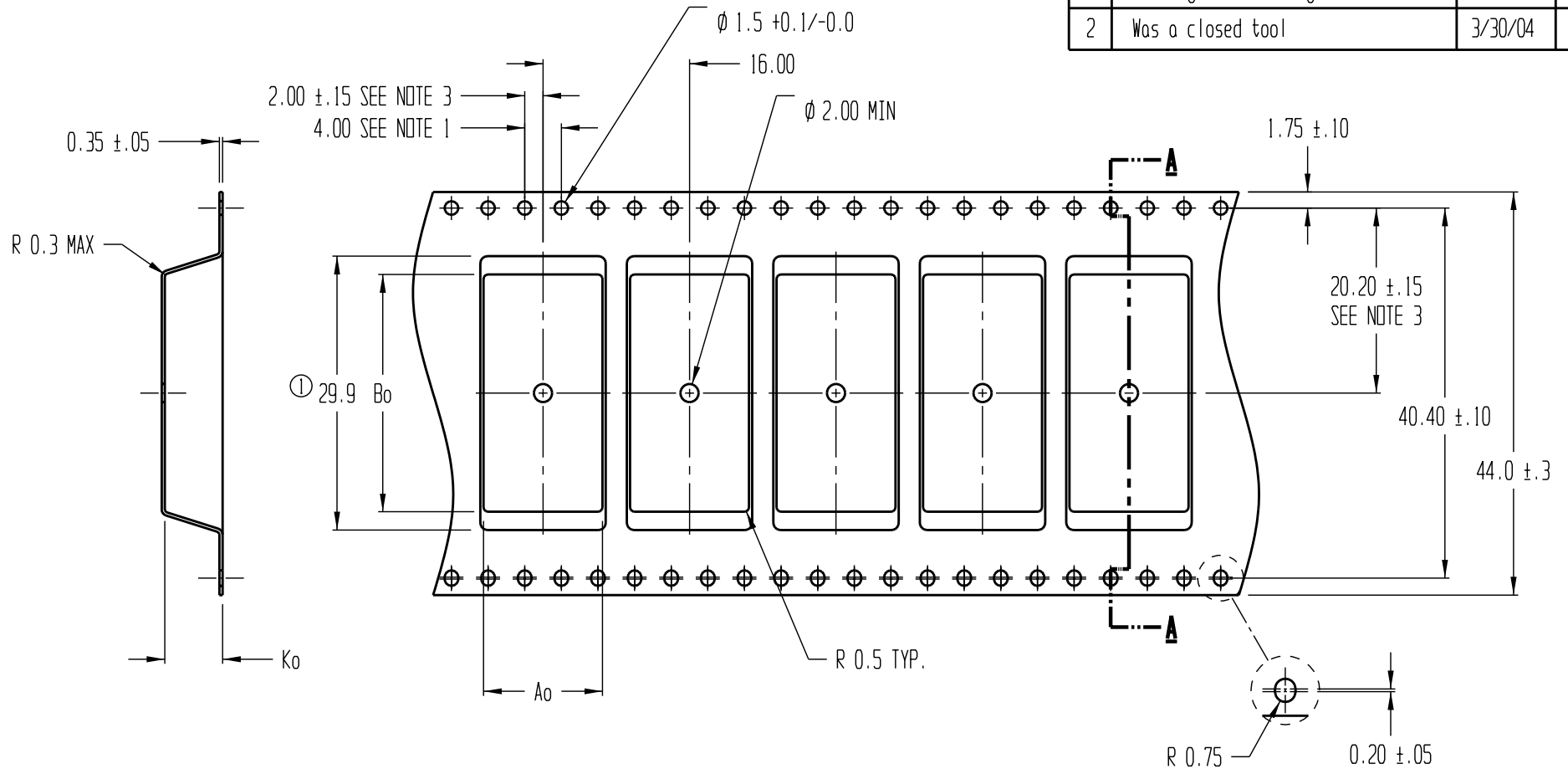


REVISIONS			
REV	DESCRIPTION	DATE	APPROVED
1	Drawing format change; 29.9 was B1	1/2/02	BTH
2	Was a closed tool	3/30/04	BTH



SECTION A - A

Ao = 13.0
Bo = 25.9
Ko = 6.3

NOTES:

1. 10 SPROCKET HOLE PITCH CUMULATIVE TOLERANCE ± 0.2
2. CAMBER IN COMPLIANCE WITH EIA 481
3. POCKET POSITION RELATIVE TO SPROCKET HOLE MEASURED AS TRUE POSITION OF POCKET, NOT POCKET HOLE



TITLE ADVANTEK PART DRAWING NUMBER HALDNL-B CARRIER TAPE			
TOLERANCES - UNLESS NOTED 1PL ± 0.2 2PL ± 0.10		MATERIAL PS+C	
DRAWN BY SDC/BTH		DATE 8/4/97	SCALE 2:1
REFERENCE NO. T-6691		DWG NO. A0804-97-2	SHEET 1 OF 1
		REV 2	