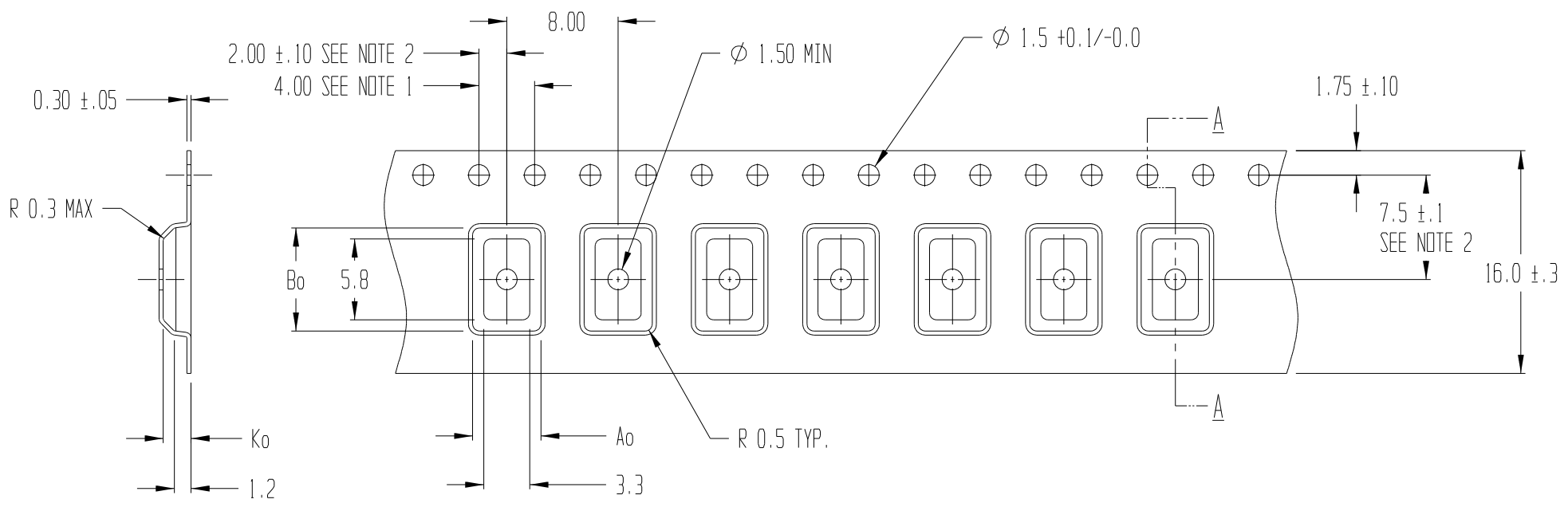



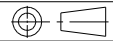
REVISIONS			
REV	DESCRIPTION	DATE	APPROVED
2.	WAS A CUSTOM TOOL	08/25/11	JH



SECTION A - A

Ao = 4.90
Bo = 7.40
Ko = 2.00

- NOTES:
- 10 SPROCKET HOLE PITCH CUMULATIVE TOLERANCE ± 0.2
 - POCKET POSITION RELATIVE TO SPROCKET HOLE MEASURED AS TRUE POSITION OF POCKET, NOT POCKET HOLE
 - Ao AND Bo ARE CALCULATED ON A PLANE AT A DISTANCE "R" ABOVE THE BOTTOM OF THE POCKET.

 ADVANTEK [®] engineered confidence™			
TITLE ADVANTEK PART DRAWING NUMBER CBGA14-A CARRIER TAPE			
TOLERANCES - UNLESS NOTED 1PL ± 0.2 2PL ± 0.10	MATERIAL PS+C	DWG SIZE B	
ALL DIMS IN MILLIMETERS PER ASME Y14.5M			
DRAWN BY RJB/BTH	DATE 10/5/99	SCALE 3:1	SHEET 1 OF 1
CK'D BY	PROJECT NO. T-9190 / 7667.00	DWG NO. T102527AT	REV 2