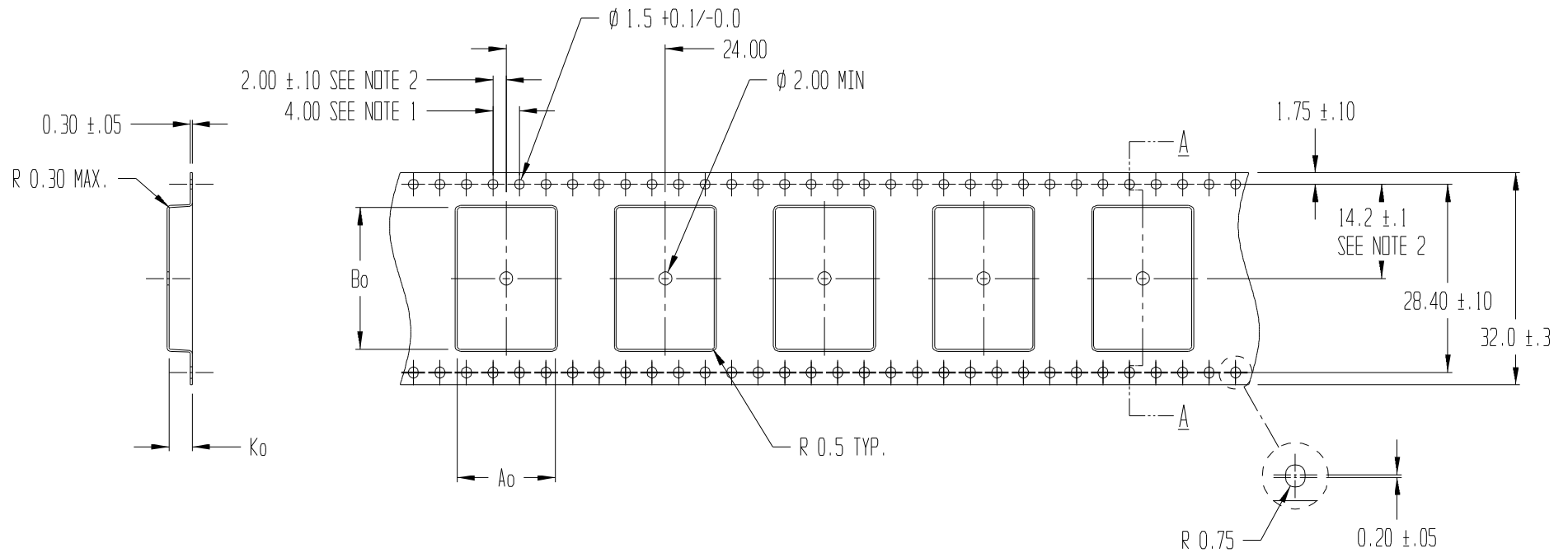


REVISIONS			
REV	DESCRIPTION	DATE	APPROVED
3	WAS CLOSED TOOL	3/21/11	BTH



SECTION A - A

$A_o = 14.80$
 $B_o = 21.40$
 $K_o = 3.50$

NOTES:

1. 10 SPROCKET HOLE PITCH CUMULATIVE TOLERANCE ± 0.2
2. POCKET POSITION RELATIVE TO SPROCKET HOLE MEASURED AS TRUE POSITION OF POCKET, NOT POCKET HOLE
3. A_o AND B_o ARE CALCULATED ON A PLANE AT A DISTANCE "R" ABOVE THE BOTTOM OF THE POCKET.



ADVANTEK[®]
engineered confidence™

TITLE ADVANTEK PART DRAWING NUMBER SOIC32-B CARRIER TAPE			
TOLERANCES - UNLESS NOTED 1PL ± 0.2 2PL ± 0.10	MATERIAL PS+C	DWG SIZE B	
ALL DIMS IN MILLIMETERS PER ASME Y14.5M			
DRAWN BY BJD	DATE 3/16/1990	SCALE 3:2	SHEET 1 OF 1
CK'D BY	PROJECT NO. A0316-90-2/ 7417.00	DWG NO. A0316-90-2	REV 3