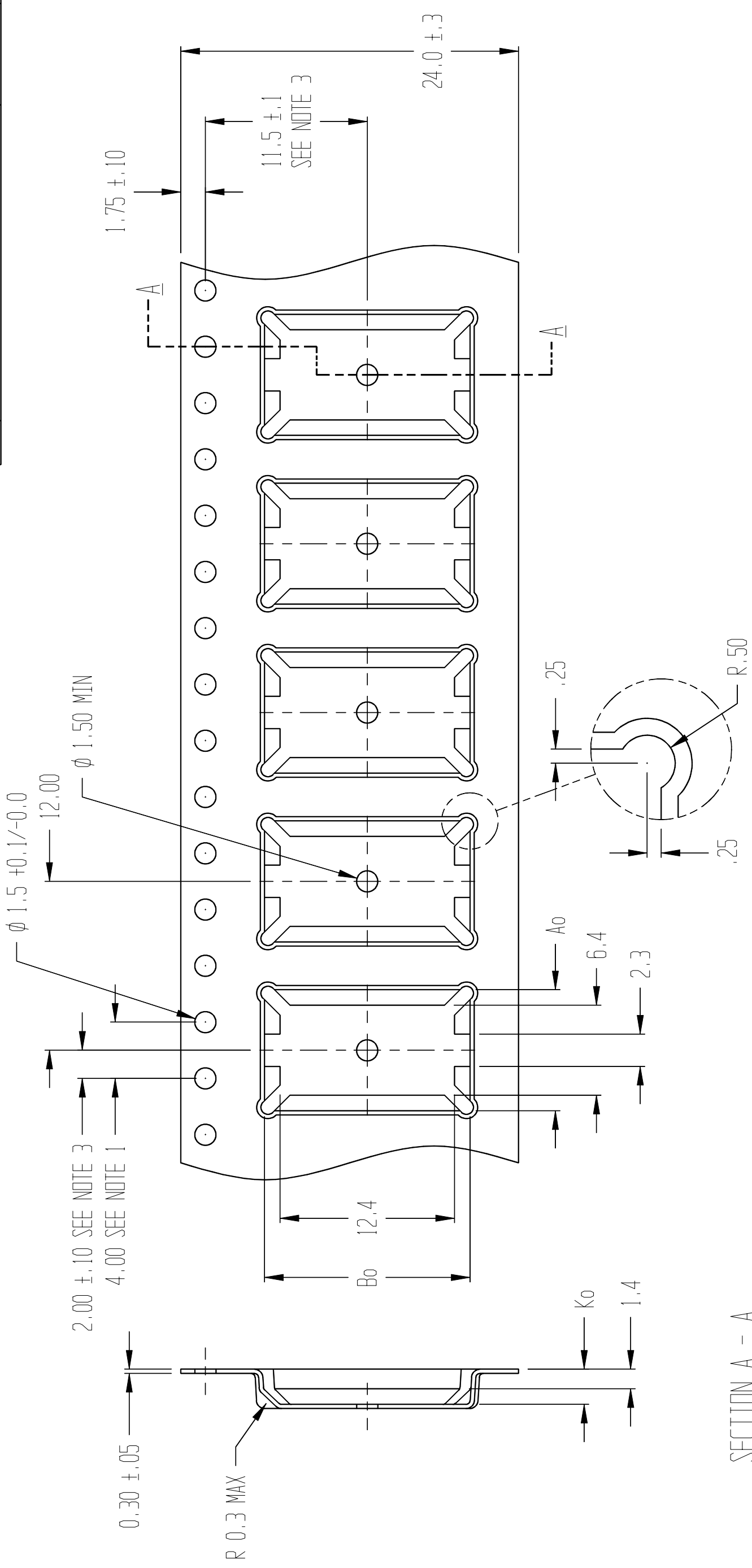


REVISIONS

REV	DESCRIPTION	DATE	APPROVED

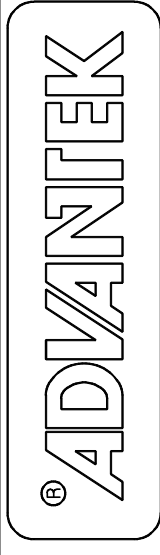


SECTION A - A

A0 = 8.6
 B0 = 14.6
 K0 = 2.5

NOTES:

1. 10 SPROCKET HOLE PITCH CUMULATIVE TOLERANCE ±0.2
2. CAMBER IN COMPLIANCE WITH EIA 481
3. POCKET POSITION RELATIVE TO SPROCKET HOLE MEASURED AS TRUE POSITION OF POCKET, NOT POCKET HOLE



TITLE		ADVANTEK PART DRAWING NUMBER BG0814-A	
TOLERANCES - UNLESS NOTED		MATERIAL PS+C	
DRAWN BY BTH		CARRIER TAPE	
DATE 09/12/2001		ALL DIMENSIONS IN MILLIMETERS	
SCALE 3:1		DWG SIZE B	
REFERENCE NO. T-11310		SHEET 1 OF 1	
DWG NO. T103423BT		REV	