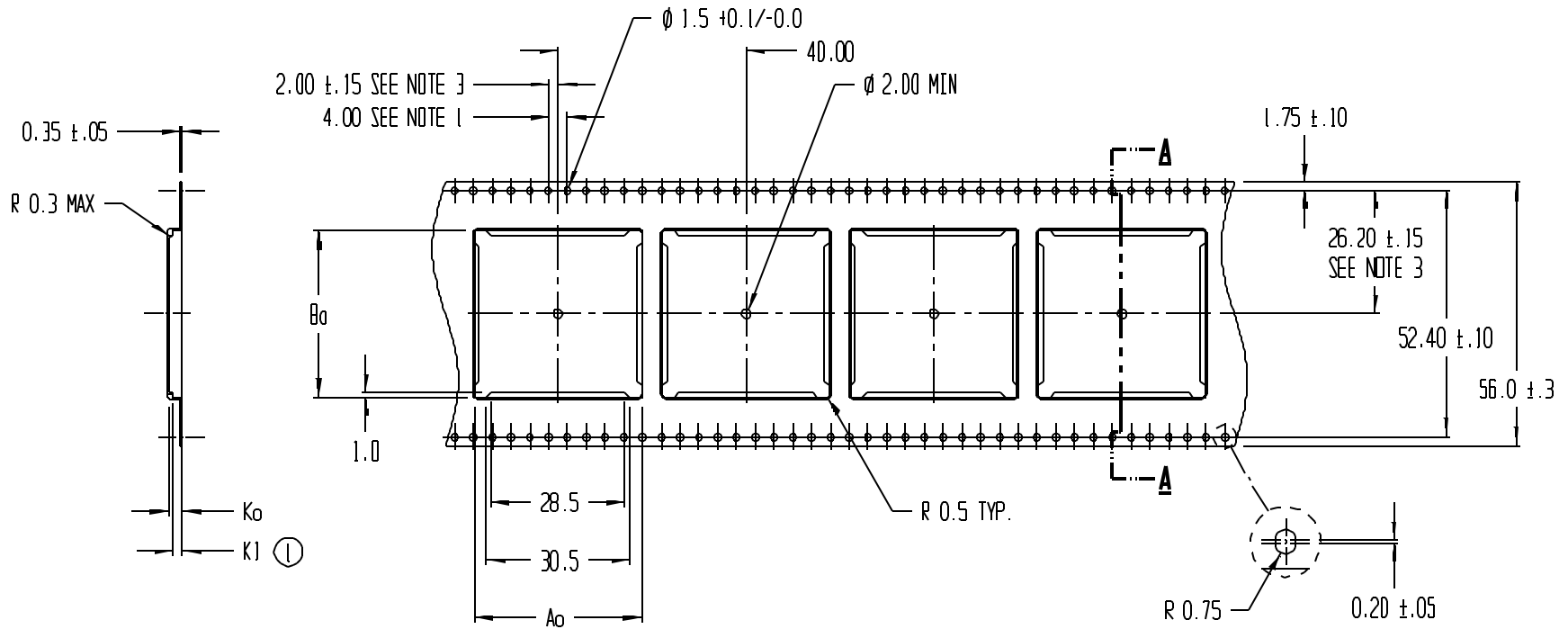


REVISIONS			
REV	DESCRIPTION	DATE	APPROVED
1	Was BG3535-P, Ko & K1 added	12/13/95	SDC
2	Drawing format change	11/26/02	BVB



SECTION A - A

Ao = 35.5
Bo = 35.5
Ko = 2.9
K1 = 1.9

- NOTES:
1. 10 SPROCKET HOLE PITCH CUMULATIVE TOLERANCE ±0.2
 2. CAMBER IN COMPLIANCE WITH EIA 481
 3. POCKET POSITION RELATIVE TO SPROCKET HOLE MEASURED AS TRUE POSITION OF POCKET, NOT POCKET HOLE



TITLE ADVANTEK PART DRAWING NUMBER BG3535-A ① CARRIER TAPE			
TOLERANCES - UNLESS NOTED 1PL ±.2 2PL ±.10	MATERIAL PS+C	ALL DIMENSIONS IN MILLIMETERS DWG SIZE B	
DRAWN BY SDC/BVB	DATE 7/28/95	SCALE 1:1	SHEET 1 OF 1
REFERENCE NO. T-4790-2	DWG NO. A1003-95-3	REV 2	