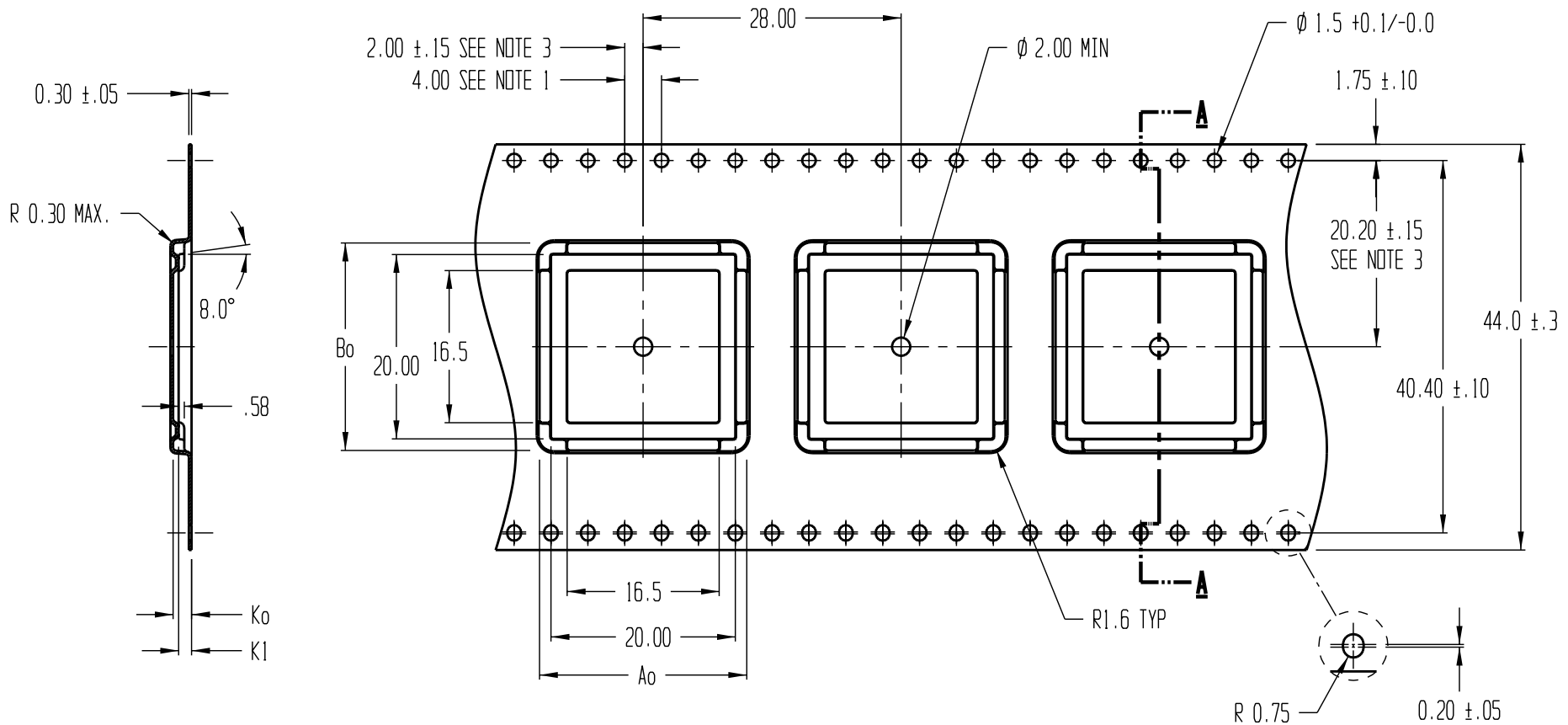


REVISIONS			
REV	DESCRIPTION	DATE	APPROVED



SECTION A - A

$A_o = 22.5$
 $B_o = 22.5$
 $K_o = 2.01$
 $K_1 = 1.40$

NOTES:

1. 10 SPROCKET HOLE PITCH CUMULATIVE TOLERANCE ± 0.2
2. CAMBER IN COMPLIANCE WITH EIA 481
3. POCKET POSITION RELATIVE TO SPROCKET HOLE MEASURED AS TRUE POSITION OF POCKET, NOT POCKET HOLE



TITLE ADVANTEK PART DRAWING NUMBER Q2020A-B CARRIER TAPE			
TOLERANCES - UNLESS NOTED 1PL ± 0.2 2PL ± 0.10		MATERIAL PS+C	
DRAWN BY TMD		DATE 11/18/2003	SCALE 2:1
REFERENCE NO. T-12613-A		DWG NO. T104459BT	SHEET 1 OF 1
		REV	