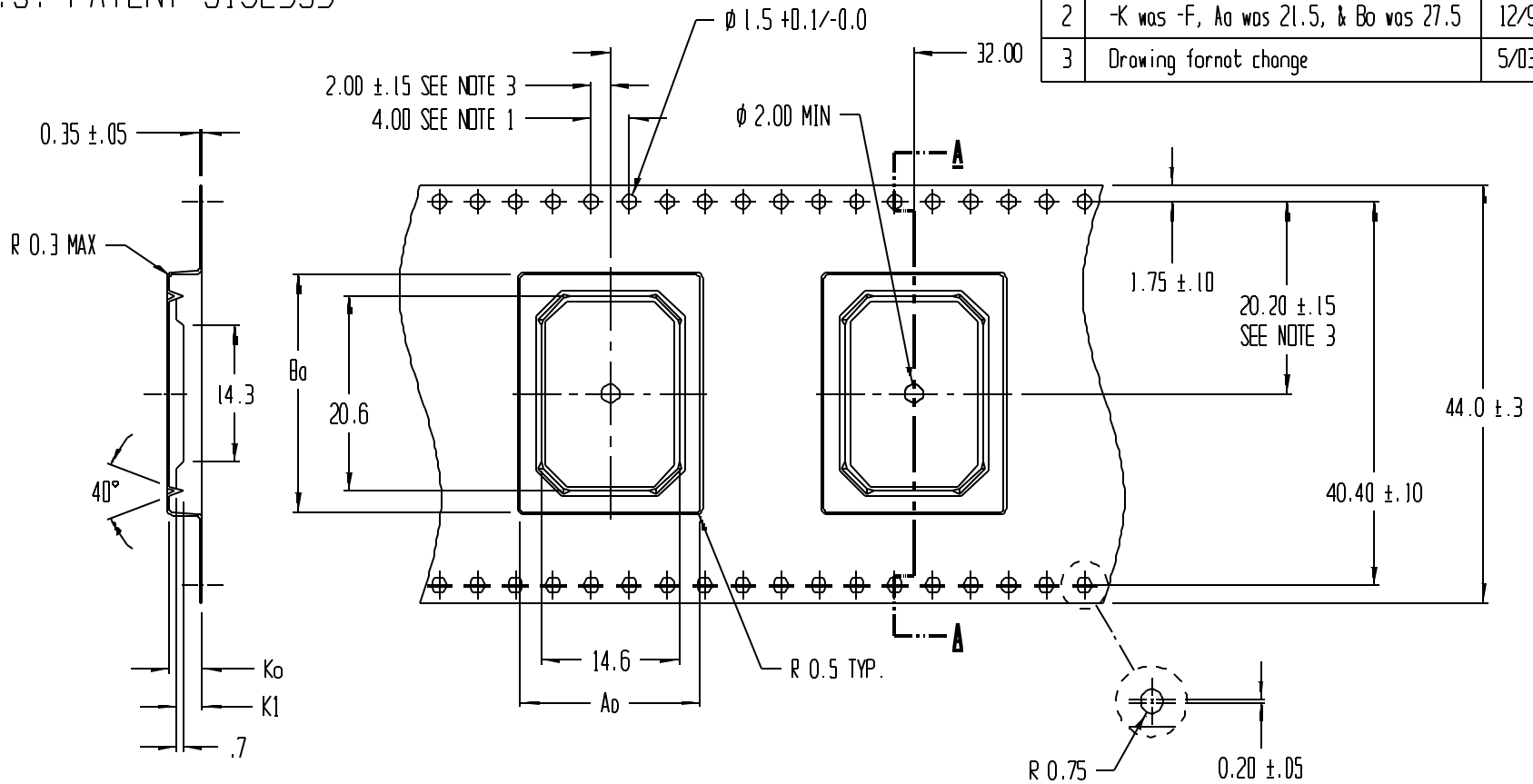


U.S. PATENT 5152393

REVISIONS			
REV	DESCRIPTION	DATE	APPROVED
1	Changed Patent Note	3/93	T.S.
2	-K was -F, Aa was 21.5, & Bo was 27.5	12/93	T.S.
3	Drawing format change	5/03/04	BTH



**SECTION A - A**

- ② Aa = 19.00
- ② Bo = 25.00
- Ko = 3.45
- K1 = 2.65

NOTES:

1. 10 SPROCKET HOLE PITCH CUMULATIVE TOLERANCE ±0.2
2. CAMBER IN COMPLIANCE WITH EIA 481
3. POCKET POSITION RELATIVE TO SPROCKET HOLE MEASURED AS TRUE POSITION OF POCKET, NOT POCKET HOLE



TITLE ADVANTEK PART DRAWING NUMBER 014X20-K ② DFP CARRIER TAPE			
TOLERANCES - UNLESS NOTED 1PL ±.2 2PL ±.10	MATERIAL PS+C	ALL DIMENSIONS IN MILLIMETERS DWG SIZE B	
DRAWN BY EKS/BTH	DATE 7/15/92	SCALE 2:1	SHEET 1 OF 1
REFERENCE NO.	DWG NO. A0715-92-1	REV 3	