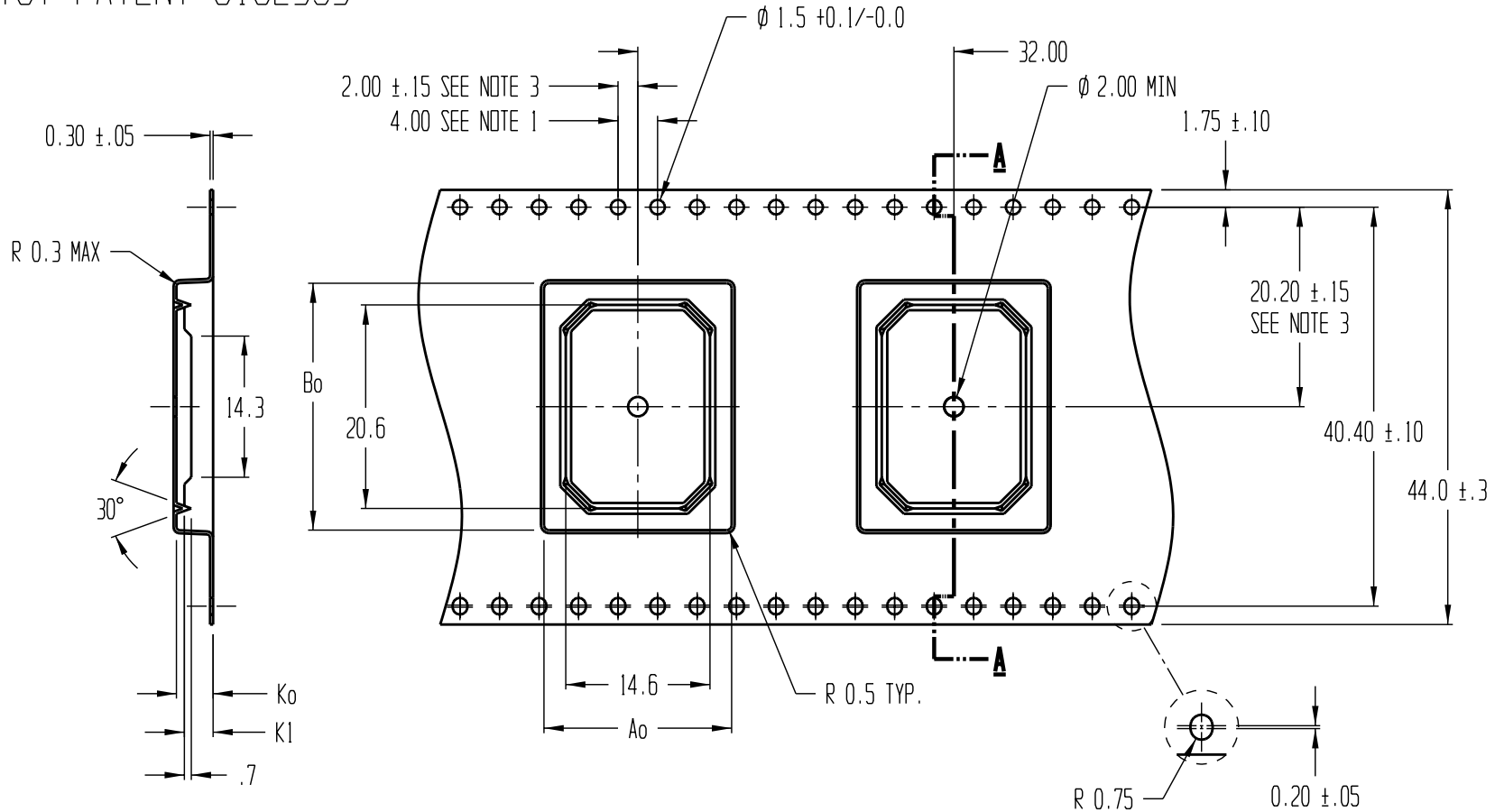


U.S. PATENT 5152393

REVISIONS			
REV	DESCRIPTION	DATE	APPROVED
1	Drawing format change	7/8/02	BTH



SECTION A - A

$Ao = 19.00$
 $Bo = 25.00$
 $Ko = 3.70$
 $K1 = 2.90$

NOTES:

1. 10 SPROCKET HOLE PITCH CUMULATIVE TOLERANCE ± 0.2
2. CAMBER IN COMPLIANCE WITH EIA 481
3. POCKET POSITION RELATIVE TO SPROCKET HOLE MEASURED AS TRUE POSITION OF POCKET, NOT POCKET HOLE



TITLE ADVANTEK PART DRAWING NUMBER Q14X20-J QFP CARRIER TAPE			
TOLERANCES - UNLESS NOTED 1PL $\pm .2$ 2PL $\pm .10$		MATERIAL PS+C	
ALL DIMENSIONS IN MILLIMETERS		DWG SIZE B	
DRAWN BY CKS/BTH	DATE 6/21/91	SCALE 2:1	SHEET 1 OF 1
REFERENCE NO.		DWG NO. T102632AT	REV 1