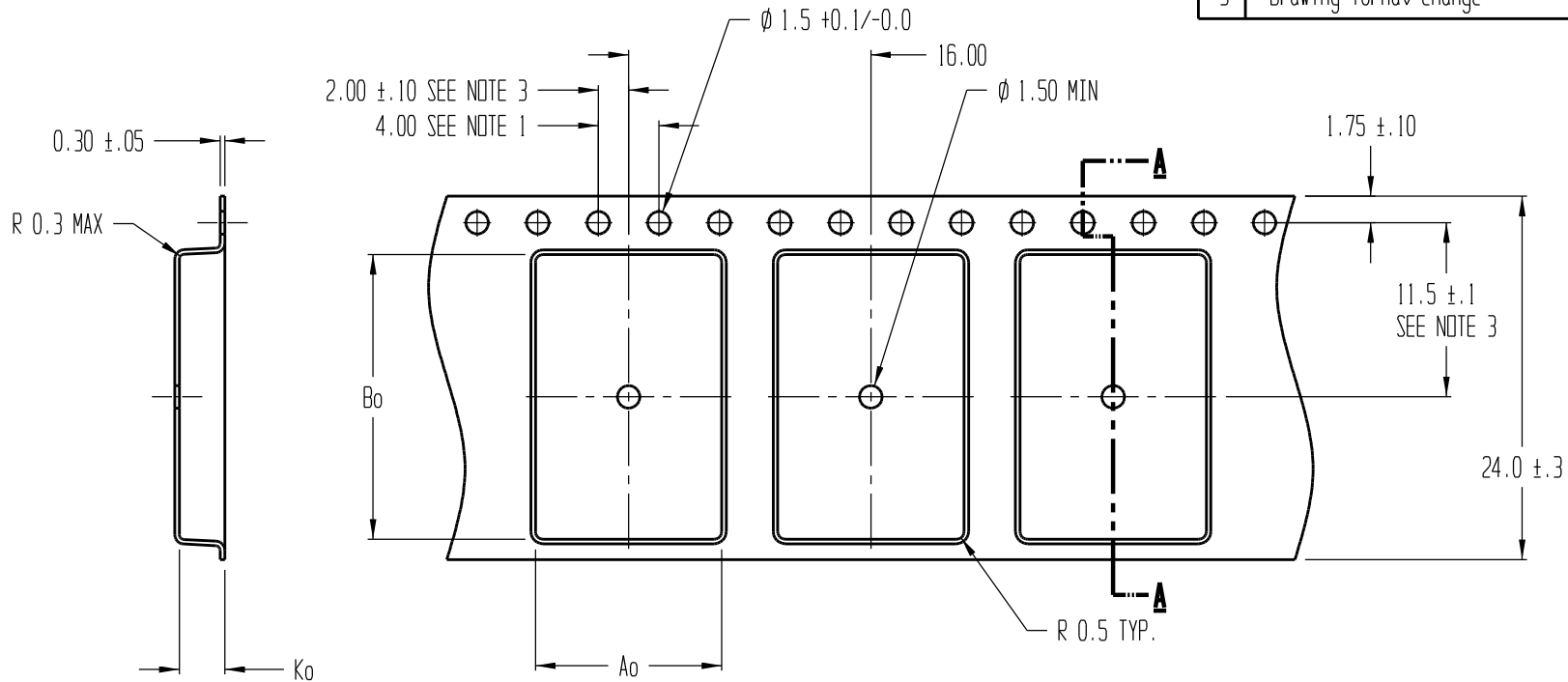


REVISIONS			
REV	DESCRIPTION	DATE	APPROVED
1	Error correction	6/19/92	CKS
2	Pocket hole was 1.55+1.00/-0.05	3/3/94	T.S.
3	Drawing format change	5/23/03	BVB



**SECTION A - A**

Ao = 12.30  
Bo = 18.80  
Ko = 3.00

- NOTES:
1. 10 SPROCKET HOLE PITCH CUMULATIVE TOLERANCE  $\pm 0.2$
  2. CAMBER IN COMPLIANCE WITH EIA 481
  3. POCKET POSITION RELATIVE TO SPROCKET HOLE MEASURED AS TRUE POSITION OF POCKET, NOT POCKET HOLE



TITLE ADVANTEK PART DRAWING NUMBER S28XWL-A CARRIER TAPE			
TOLERANCES - UNLESS NOTED 1PL $\pm 0.2$ 2PL $\pm 0.10$		MATERIAL PS+C	
		ALL DIMENSIONS IN MILLIMETERS	DWG SIZE B
DRAWN BY BJD/BVB	DATE 9/12/89	SCALE 3:1	SHEET 1 OF 1
REFERENCE NO.	DWG NO. A0912-89-1		REV 3