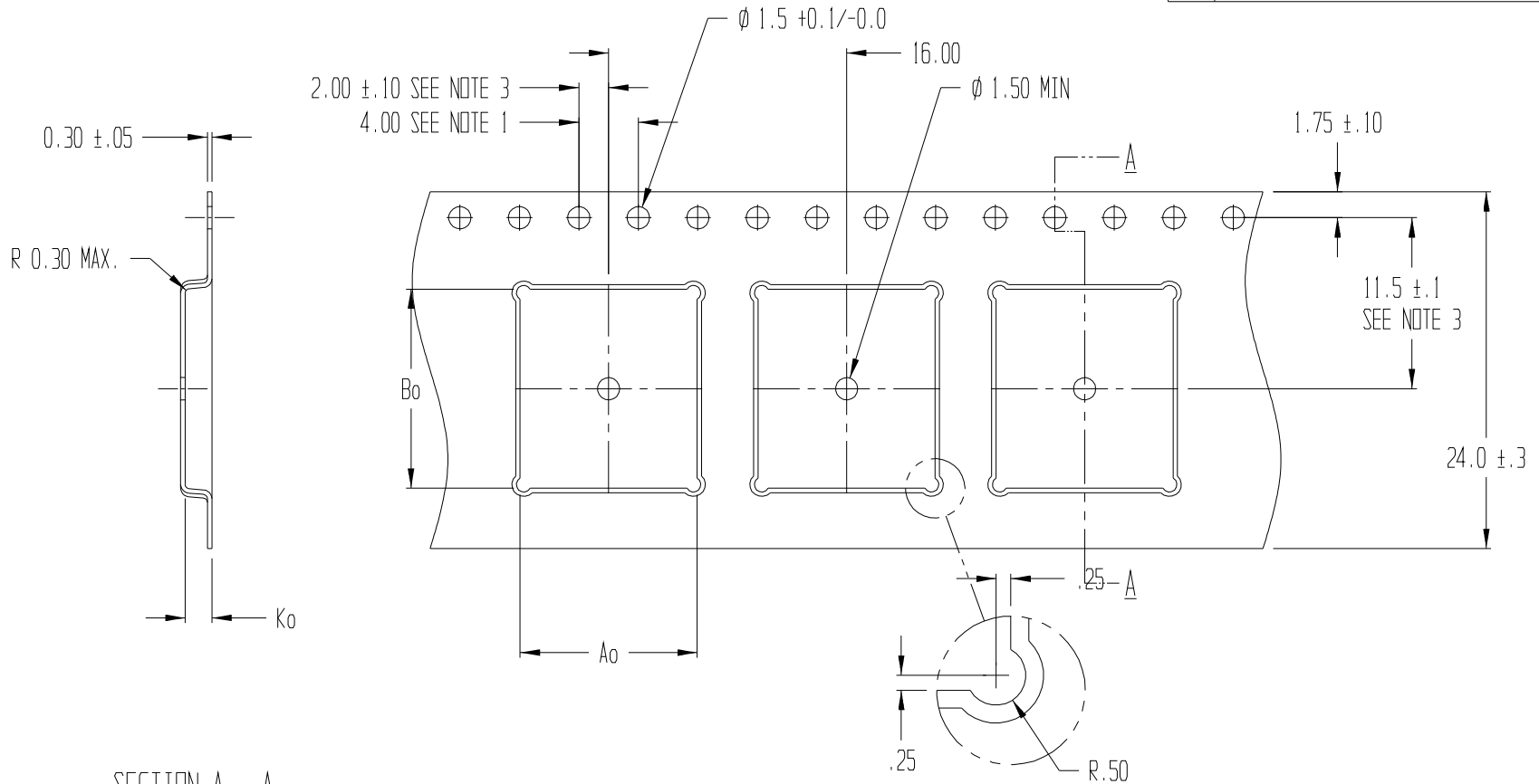


REVISIONS			
REV	DESCRIPTION	DATE	APPROVED



SECTION A - A

$Ao = 11.90$   
 $Bo = 13.40$   
 $Ko = 1.80$

NOTES:

1. 10 SPROCKET HOLE PITCH CUMULATIVE TOLERANCE  $\pm 0.2$
2. CAMBER IN COMPLIANCE WITH EIA 481
3. POCKET POSITION RELATIVE TO SPROCKET HOLE MEASURED AS TRUE POSITION OF POCKET, NOT POCKET HOLE

® ADVANTEK

TITLE ADVANTEK PART DRAWING NUMBER DEA064-A CARRIER TAPE			
TOLERANCES - UNLESS NOTED 1PL $\pm .2$ 2PL $\pm .10$		MATERIAL PS+C	
DRAWN BY ALM		DATE 02/29/2008	DWG SIZE B
REFERENCE NO. 3759.00		SCALE 3:1	SHEET 1 OF 1
DWG NO. T106689BT		REV	